



F 7130A: Power supply module

Input voltage 24 VDC, output voltage 5 VDC
for PES H41q

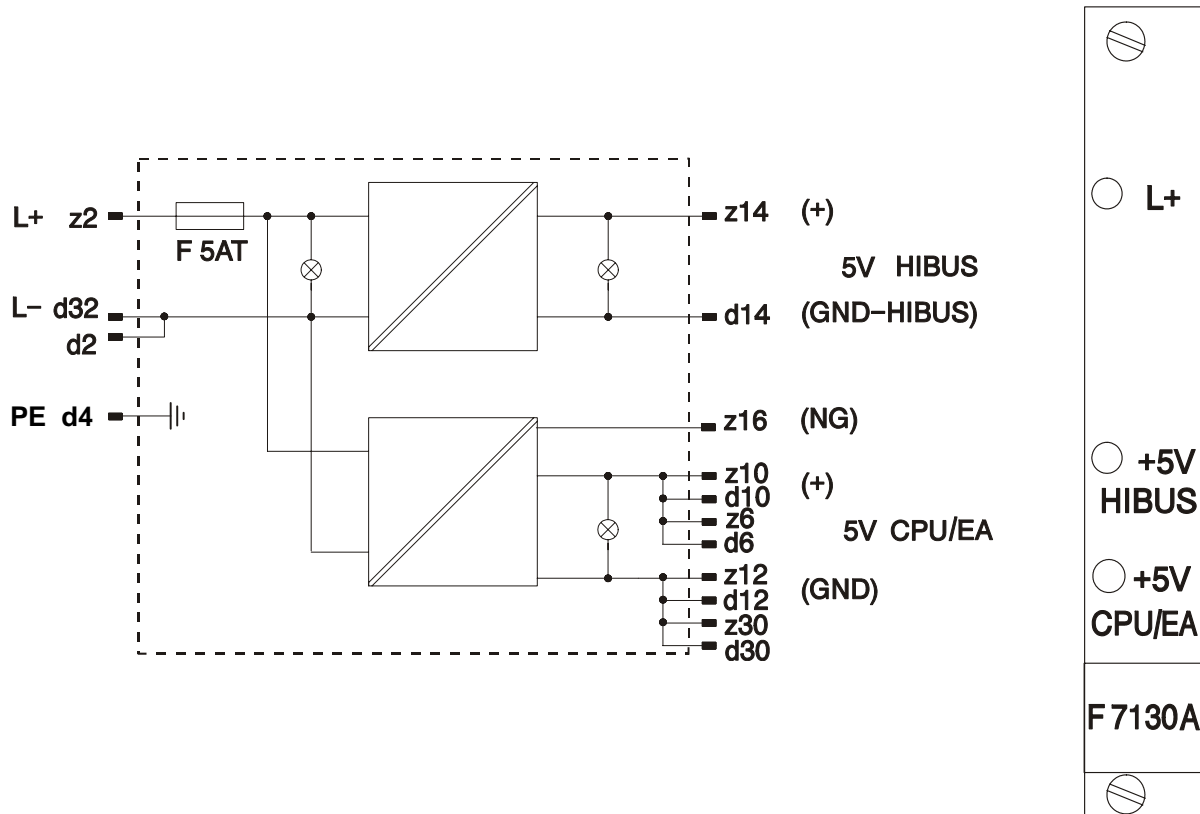


Figure 1: F 7130 A power supply module

The module supplies PES H41q with 5 VDC from a main supply of 24 VDC. It is a DC/DC converter with electrical isolation between input and output voltage. The module is equipped with overvoltage protection and current limitation. The outputs are short-circuit proof. The supply connections are separated for the central device/IO modules and HIBUS interface.

The present input voltage (L+) and the output voltages are indicated with LEDs on the front plate. A proper operation of the module is still assured if the LED 5 V CPU/EA illuminates only slightly.

The power supply for the monitoring of the central device is fed separately via pin z16 (NG).

Operating data	24 VDC, -15...+20 %, $r_{pp} < 15\%$
Primary fuse	5 A gL
Outputs for	
central device/IO-modules	5 VDC, $\pm 0.25\text{ V} / 10\text{ A}$
HIBUS	5 VDC, $\pm 0.25\text{ V} / 1\text{ A}$
Efficiency rate	$\geq 70\%$
Space requirement	4 SU

