

Product data sheet

Specifications



discrete input module Modicon Quantum - 32 I - 10..60 V DC

140DDI85300

! To be discontinued on: 31 December 2022

! To be end-of-service on: 31 December 2030

! To be discontinued

Main

Range of product	Modicon Quantum automation platform
Product or component type	Dc discrete input modules
Discrete input number	32

Complementary

Group of channels	4
Logic input	Positive (sink)
Input voltage limits	10...60 V
Input voltage	12 V 5...10 mA DC 24 V 6...30 mA DC 48 V 2...15 mA DC 60 V 1...5 mA DC
Voltage state 1 guaranteed	9...12 V 12 V +/- 5 % 11...24 V 24 V - 15...20 % 34...48 V 48 V - 15...20 % 45...60 V 60 V - 15...20 %
Voltage state 0 guaranteed	0...1.8 V 12 V +/- 5 % 0...10 V 48 V - 15...20 % 0...12.5 V 60 V - 15...20 % 0...5 V 24 V - 15...20 %
Absolute maximum voltage	75 V
Addressing requirement	2 input words
Response time	4 ms from state 0 to state 1 4 ms from state 1 to state 0
Switching frequency	<= 100 Hz
Isolation between group and bus	2500 Vrms DC for 1 minute
Isolation between group	700 Vrms DC for 1 minute
Power dissipation	1 W + (0.25 x number of points on)
Marking	CE
Local signalling	1 LED (green) for bus communication is present (Active) 32 LEDs (green) for input status
Bus current requirement	300 mA
Module format	Standard
Net weight	0.295 kg

Environment

Standards	EN/IEC 61131-2 CSA C22.2 No 142 UL 508
Product certifications	RCM Merchant Navy UL EAC CSA CE hazardous location class 1, division 2
Resistance to electrostatic discharge	4 kV contact conforming to IEC 801-2 8 kV on air conforming to IEC 801-2
Resistance to electromagnetic fields	10 V/m 80...2000 MHz conforming to IEC 801-3
Ambient air temperature for operation	0...60 °C
Ambient air temperature for storage	-40...85 °C
Relative humidity	95 % without condensation
Operating altitude	<= 5000 m

Packing Units

Unit Type of Package 1	PCE
Number of Units in Package 1	1
Package 1 Weight	428 g
Package 1 Height	163 mm
Package 1 width	45 mm
Package 1 Length	312 mm
Unit Type of Package 2	S03
Number of Units in Package 2	7
Package 2 Weight	2.989 kg
Package 2 Height	30 cm
Package 2 width	30 cm
Package 2 Length	40 cm

Offer Sustainability

Sustainable offer status	Green Premium product
REACH Regulation	REACH Declaration
REACH free of SVHC	Yes
EU RoHS Directive	Pro-active compliance (Product out of EU RoHS legal scope) EU RoHS Declaration
Mercury free	Yes
RoHS exemption information	Yes
China RoHS Regulation	China RoHS declaration
Environmental Disclosure	Product Environmental Profile
Circularity Profile	End of Life Information
WEEE	The product must be disposed on European Union markets following specific waste collection and never end up in rubbish bins

California proposition 65

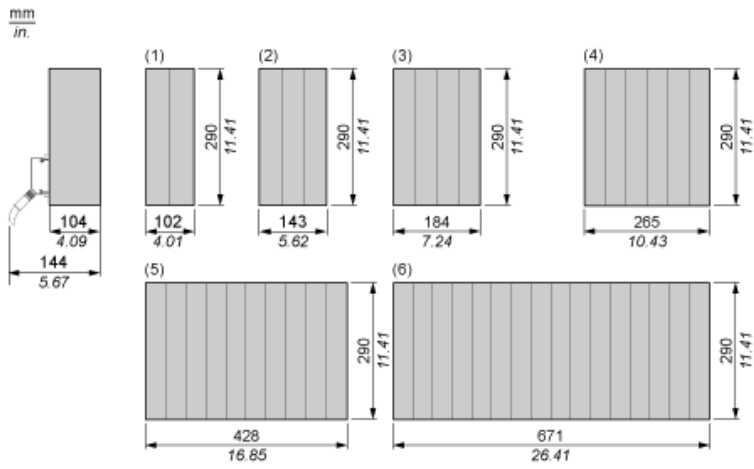
WARNING: This product can expose you to chemicals including: Lead and lead compounds, which is known to the State of California to cause cancer and birth defects or other reproductive harm. For more information go to www.P65Warnings.ca.gov

Contractual warranty

Warranty	18 months
-----------------	-----------

Racks for Modules Mounting

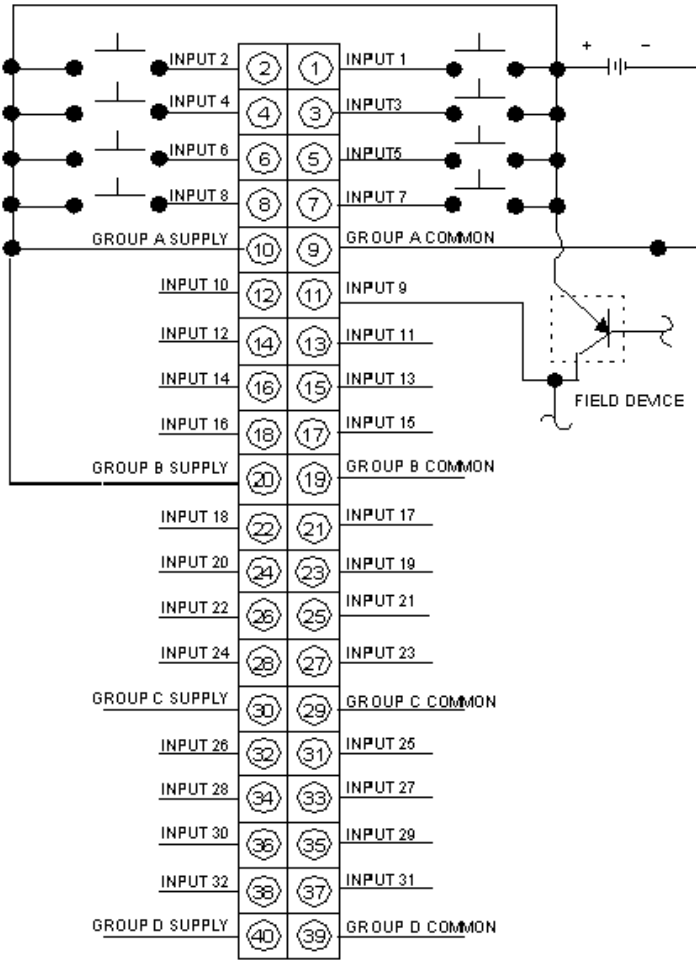
Dimensions of Modules and Racks



- (1) 2 slots
- (2) 3 slots
- (3) 4 slots
- (4) 6 slots
- (5) 10 slots
- (6) 16 slots

10...60 Vdc Discrete Input Sink Module

Wiring Diagram



Recommended replacement(s)

140DDI85300 is replaced by:

1x



multifunction input module Modicon X80 - 16 I - 24/24..125 V
BMXERT1604T