

Product data sheet

Specifications



discrete output module Modicon Quantum - 32 O solid state

140DDO35300

! To be discontinued on: 31 December 2022

! To be end-of-service on: 31 December 2030

! To be discontinued

Main

Range of product	Modicon Quantum automation platform
Product or component type	Dc discrete output module
Discrete output number	32

Complementary

Group of channels	4 groups of 8
Discrete output logic	Positive logic (source)
Addressing requirement	2 output words
Discrete output voltage	24 V DC
Output voltage limits	19.2...30 V
Absolute maximum output	56 V for 1.3 s decaying pulse
Maximum voltage drop	<0.4 V 0.5 A
Maximum load current	16 A per module 4 A per group
Surge current	5 A for 0.0005 s
Response time	<= 1 ms at state 0 to state 1 <= 1 ms at state 1 to state 0
Maximum leakage current	0.4 mA 30 V
Load inductance	$\text{Inductance(H)} = 0.5 / ((\text{current(A)})^2 \times (\text{switching frequency(Hz)}))$ 50 Hz
Fault indication	Blown fuse Loss of field power
Associated fuse rating	3 A each point 5 A per group
Isolation between channels and bus	1780 Vrms DC for 1 minute
Isolation between group	500 Vrms DC for 1 minute
Protection type	Internal output protection by 5 A fuse per group
Power dissipation	1.75 W + (0.4 V x total module load current)
Marking	CE
Local signalling	1 LED (green) for bus communication is present (Active) 1 LED (red) for external fault detected (F) 32 LEDs (green) for input status

Bus current requirement	330 mA
Module format	Standard
Net weight	0.45 kg

Environment

Product certifications	GOST BV RMRS ABS DNV GL RINA C-Tick FM Class 1 Division 2 safety certification non interfering
Standards	UL 508 CSA C22.2 No 142
Resistance to electrostatic discharge	4 kV contact conforming to IEC 801-2 8 kV on air conforming to IEC 801-2
Resistance to electromagnetic fields	10 V/m 80...2000 MHz conforming to IEC 801-3
Ambient air temperature for operation	0...60 °C
Ambient air temperature for storage	-40...85 °C
Relative humidity	95 % without condensation
Operating altitude	<= 5000 m

Packing Units

Unit Type of Package 1	PCE
Number of Units in Package 1	1
Package 1 Weight	434.9 g
Package 1 Height	4.59 cm
Package 1 width	16.44 cm
Package 1 Length	31.09 cm
Unit Type of Package 2	S03
Number of Units in Package 2	7
Package 2 Weight	3538 g
Package 2 Height	30 cm
Package 2 width	30 cm
Package 2 Length	40 cm

Offer Sustainability

Sustainable offer status	Green Premium product
REACH Regulation	REACH Declaration
REACH free of SVHC	Yes
EU RoHS Directive	Pro-active compliance (Product out of EU RoHS legal scope) EU RoHS Declaration
Mercury free	Yes
RoHS exemption information	Yes
China RoHS Regulation	China RoHS declaration

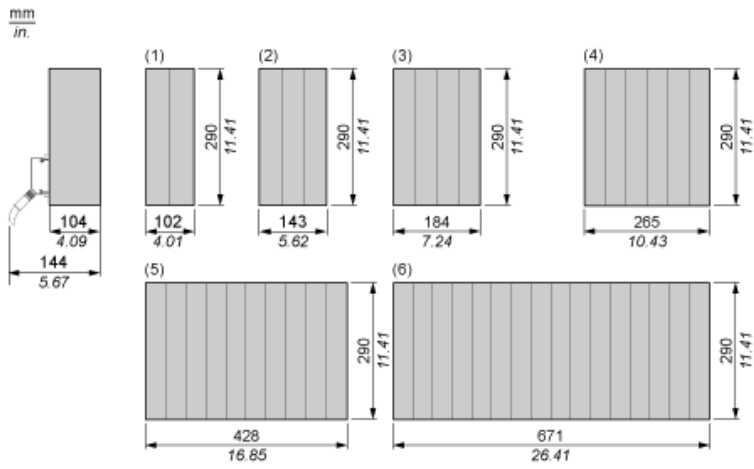
Environmental Disclosure	Product Environmental Profile
Circularity Profile	End of Life Information
WEEE	The product must be disposed on European Union markets following specific waste collection and never end up in rubbish bins
California proposition 65	WARNING: This product can expose you to chemicals including: Lead and lead compounds, which is known to the State of California to cause cancer and birth defects or other reproductive harm. For more information go to www.P65Warnings.ca.gov

Contractual warranty

Warranty	18 months
-----------------	-----------

Racks for Modules Mounting

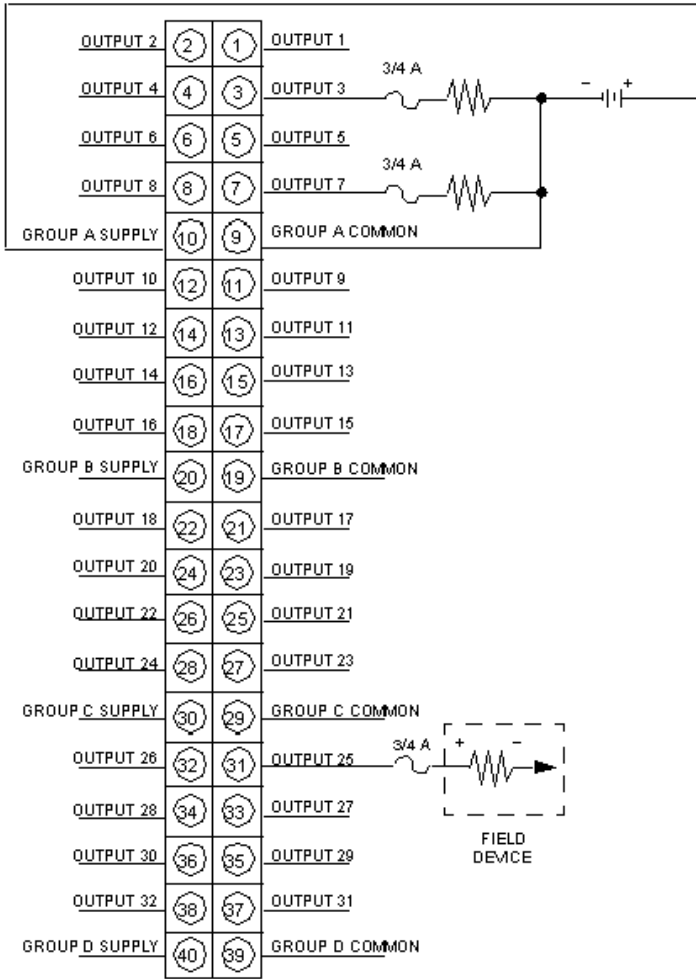
Dimensions of Modules and Racks



- (1) 2 slots
- (2) 3 slots
- (3) 4 slots
- (4) 6 slots
- (5) 10 slots
- (6) 16 slots


24 Vdc Discrete Output Source Module

Wiring Diagram



Recommended replacement(s)

140DDO35300 is replaced by:

1x  discrete output module X80 - 32 outputs - solid state - 24 V DC positive
BMXDDO3202K