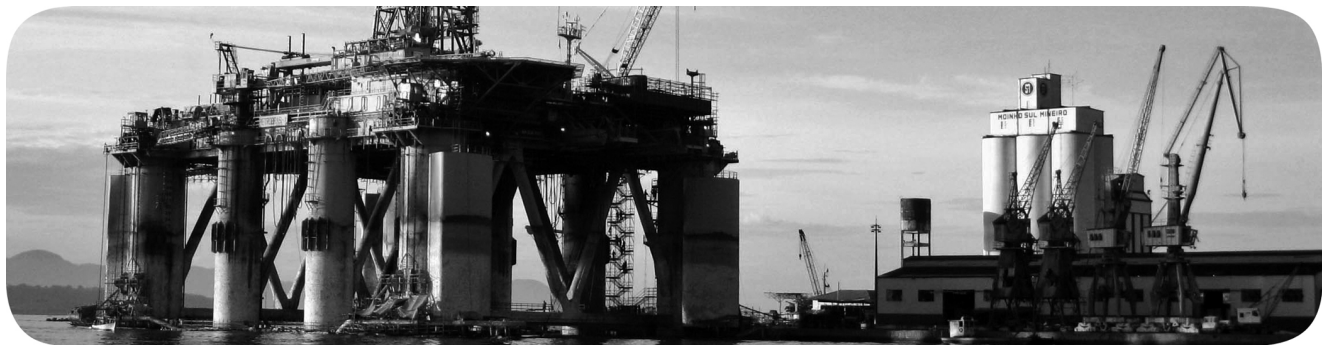
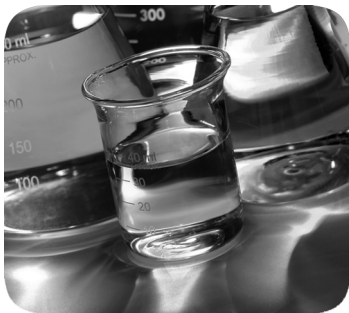


# Micro800 Expansion I/O Modules

Catalog Numbers Bulletin 2085



## Important User Information

Read this document and the documents listed in the additional resources section about installation, configuration, and operation of this equipment before you install, configure, operate, or maintain this product. Users are required to familiarize themselves with installation and wiring instructions in addition to requirements of all applicable codes, laws, and standards.

Activities including installation, adjustments, putting into service, use, assembly, disassembly, and maintenance are required to be carried out by suitably trained personnel in accordance with applicable code of practice.

If this equipment is used in a manner not specified by the manufacturer, the protection provided by the equipment may be impaired.

In no event will Rockwell Automation, Inc. be responsible or liable for indirect or consequential damages resulting from the use or application of this equipment.

The examples and diagrams in this manual are included solely for illustrative purposes. Because of the many variables and requirements associated with any particular installation, Rockwell Automation, Inc. cannot assume responsibility or liability for actual use based on the examples and diagrams.

No patent liability is assumed by Rockwell Automation, Inc. with respect to use of information, circuits, equipment, or software described in this manual.

Reproduction of the contents of this manual, in whole or in part, without written permission of Rockwell Automation, Inc., is prohibited

Throughout this manual, when necessary, we use notes to make you aware of safety considerations.



**WARNING:** Identifies information about practices or circumstances that can cause an explosion in a hazardous environment, which may lead to personal injury or death, property damage, or economic loss.



**ATTENTION:** Identifies information about practices or circumstances that can lead to personal injury or death, property damage, or economic loss. Attentions help you identify a hazard, avoid a hazard, and recognize the consequence.

---

**IMPORTANT** Identifies information that is critical for successful application and understanding of the product.

---

Labels may also be on or inside the equipment to provide specific precautions.



**SHOCK HAZARD:** Labels may be on or inside the equipment, for example, a drive or motor, to alert people that dangerous voltage may be present.



**BURN HAZARD:** Labels may be on or inside the equipment, for example, a drive or motor, to alert people that surfaces may reach dangerous temperatures.



**ARC FLASH HAZARD:** Labels may be on or inside the equipment, for example, a motor control center, to alert people to potential Arc Flash. Arc Flash will cause severe injury or death. Wear proper Personal Protective Equipment (PPE). Follow ALL Regulatory requirements for safe work practices and for Personal Protective Equipment (PPE).

---

Read this preface to familiarize yourself with the rest of the manual. It provides information concerning:

- who should use this manual
- the purpose of this manual
- related documentation
- supporting information for Micro800™

## Who Should Use this Manual

Use this manual if you are responsible for designing, installing, programming, or troubleshooting control systems that use Micro800 controllers.

You should have a basic understanding of electrical circuitry and familiarity with relay logic. If you do not, obtain the proper training before using this product.

## Purpose of this Manual

This manual is a reference guide for Micro800 expansion I/O modules. It describes the procedures you use to install, wire, and troubleshoot your expansion I/O. This manual:

- gives you an overview of expansion I/O features and configuration parameter
- gives you an overview of the Micro800 controller system

Refer to the Online Help provided with Connected Components Workbench™ software for more information about programming.

## Additional Resources

These documents contain additional information concerning related Rockwell Automation products.

Resource	Description
Micro850 Programmable Controllers Installation Instructions, publication <a href="#">2080-IN007</a>	Information on mounting and wiring the Micro850® 24-point controllers
Micro850 Programmable Controllers Installation Instructions, publication <a href="#">2080-IN008</a>	Information on mounting and wiring the Micro850 48-point controllers
Micro870 Programmable Controllers Installation Instructions, publication <a href="#">2080-IN012</a>	Information on mounting and wiring the Micro870 24-point controllers
Micro830, Micro850, and Micro870 Programmable Controllers User Manual, publication <a href="#">2080-UM002</a>	A more detailed description of how to install and use your Micro830®, Micro850, and Micro870™ programmable controllers.
Micro800 16-point and 32-point 12/24V Sink/Source Input Modules Installation Instructions, publication <a href="#">2085-IN001</a>	Information on mounting and wiring the expansion I/O modules (2085-IQ16, 2085-IQ32T)
Micro800 Bus Terminator Module Installation Instruction, publication <a href="#">2085-IN002</a>	Information on mounting and wiring the expansion I/O bus terminator (2085-ECR)
Micro800 16-Point Sink and 16-Point Source 12/24V DC Output Modules Installation Instructions, publication <a href="#">2085-IN003</a>	Information on mounting and wiring the expansion I/O modules (2085-OV16, 2085-OB16)

Resource	Description
Micro800 8-Point and 16-Point AC/DC Relay Output Modules Installation Instructions, publication <a href="#">2085-IN004</a>	Information on mounting and wiring the expansion I/O modules (2085-OW8, 2085-OW16)
Micro800 8-Point Input and 8-Point Output AC Modules Installation Instructions, publication <a href="#">2085-IN005</a>	Information on mounting and wiring the expansion I/O modules (2085-IA8, 2085-IM8, 2085-OA8)
Micro800 4-channel and 8-channel Analog Voltage/current Input and Output Modules Installation Instructions, publication <a href="#">2085-IN006</a>	Information on mounting and wiring the expansion I/O modules (2085-IF4, 2085-IF8, 2085-OF4)
Micro800 4-channel Thermocouple/RTD Input Module Installation Instructions, publication <a href="#">2085-IN007</a>	Information on mounting and wiring the expansion I/O module (2085-IRT4)
Micro870 Programmable Controllers 24V DC Expansion Power Supply Installation Instructions, publication <a href="#">2085-IN008</a>	Information on mounting and wiring the 24V DC expansion power supply (2085-EP24VDC)
Micro800 RS232/485 Isolated Serial Port Plug-in Module Wiring Diagrams, publication <a href="#">2080-WD002</a>	Information on mounting and wiring the Micro800 RS232/485 Isolated Serial Port Plug-in Module.
Industrial Automation Wiring and Grounding Guidelines, publication <a href="#">1770-4.1</a>	Provides general guidelines for installing a Rockwell Automation industrial system.
Product Certifications website, <a href="http://ab.com">http://ab.com</a>	Provides declarations of conformity, certificates, and other certification details.
Application Considerations for Solid-State Controls, publication <a href="#">SGI-1.1</a>	A description of important differences between solid-state programmable controller products and hard-wired electromechanical devices.
National Electrical Code - Published by the National Fire Protection Association of Boston, MA.	An article on wire sizes and types for grounding electrical equipment.
Allen-Bradley Industrial Automation Glossary, publication <a href="#">AG-7.1</a>	A glossary of industrial automation terms and abbreviations.

You can view or download publications at <http://www.rockwellautomation.com/literature/>. To order paper copies of technical documentation, contact your local Rockwell Automation distributor or sales representative.

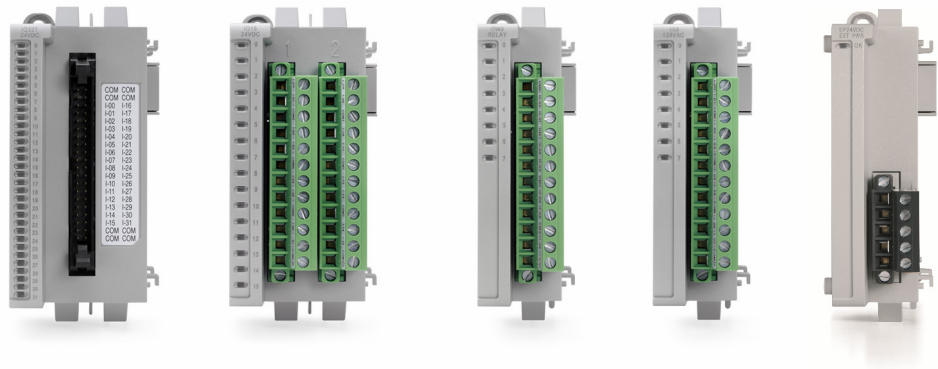
You can download the latest version of Connected Components Workbench for your Micro800 controller at the URL below.

<http://ab.rockwellautomation.com/Programmable-Controllers/Connected-Components-Workbench-Software>.

	Important User Information . . . . .	ii
<b>Preface</b>	Who Should Use this Manual . . . . .	iii
	Purpose of this Manual . . . . .	iii
	Additional Resources . . . . .	iii
	 <b>Chapter 1</b>	
<b>Hardware Features</b>	Micro800 Expansion I/O Modules . . . . .	1
	Hardware Features . . . . .	2
	Summary . . . . .	4
	 <b>Chapter 2</b>	
<b>Discrete and Analog Expansion I/O Features</b>	Overview . . . . .	5
	Discrete Expansion I/O Features . . . . .	5
	Discrete Input . . . . .	5
	Discrete Output . . . . .	6
	Analog Expansion I/O Features . . . . .	7
	Analog Input and Output . . . . .	7
	Analog Data Formats . . . . .	8
	Valid Range of the Data Formats for 2085-IF4, 2085-IF8, and 2085-OF4 . . . . .	8
	Convert Analog Value to Data Format Value . . . . .	9
	Channel Status Indicator Information for 2085-IF4 and 2085-IF8 . . . . .	12
	Specialty Module 2085-IRT4 Temperature Input Module . . . . .	13
	Sensor Type . . . . .	13
	Data format . . . . .	14
	Valid Range of the Data Formats for 2085-IRT4 . . . . .	14
	Convert Analog Value to Data Format Value . . . . .	15
	Summary . . . . .	16
	 <b>Chapter 3</b>	
<b>Wiring Connections</b>	Input/Output Wiring . . . . .	17
	Wiring Options for the 2085-IQ32T Module . . . . .	24
	Expansion I/O Power Supply Wiring . . . . .	27
	Summary . . . . .	27
	 <b>Chapter 4</b>	
<b>Install Your Micro800 Expansion I/O</b>	Mount the Module . . . . .	29
	Module Spacing . . . . .	29
	DIN Rail Mounting . . . . .	31
	Panel Mounting . . . . .	32
	System Assembly . . . . .	32
	Summary . . . . .	33

<b>Configure Your Expansion I/O Module</b>	<b>Chapter 5</b>	
	Overview .....	35
	Add an Expansion I/O .....	35
	Edit Expansion I/O Configuration .....	38
	Delete and Replace an Expansion I/O Configuration .....	48
	Build, Save, Download a Project with Expansion I/O Configuration ..	50
	Summary .....	50
	.....	50
<b>Specifications</b>	<b>Appendix A</b>	
	Discrete Expansion I/O .....	51
	Analog Expansion I/O .....	58
	Specialty Expansion I/O .....	60
	Expansion I/O Power Supply .....	62
	Compliance to European Union Directives .....	64
<b>Expansion I/O Data Mapping</b>	<b>Appendix B</b>	
	Discrete I/O Data Mapping .....	65
	Analog I/O Data Mapping .....	66
	Specialty I/O Data Mapping .....	69
	Calibration of Analog Modules .....	71
	Specifications .....	71
	<b>Index</b>	
	.....	73

## Hardware Features



Micro800 controllers support a range of expansion I/O modules to extend the functionality of the controller.

### Micro800 Expansion I/O Modules

The different types of expansion I/O modules are listed in the following table.

**Micro800 Expansion I/O Modules**

Catalog	Type	Description
2085-IA8	Discrete	8-point, 120V AC input
2085-IM8	Discrete	8-point, 240V AC input
2085-OA8	Discrete	8-point, 120/240V AC Triac Output
2085-IQ16	Discrete	16-point, 12/24V Sink/Source Input
2085-IQ32T	Discrete	32-point, 12/24V Sink/Source Input
2085-OV16	Discrete	16-point, 12/24V DC Sink Transistor Output
2085-OB16	Discrete	16-point, 12/24V DC Source Transistor Output
2085-OW8	Discrete	8-point, AC/DC Relay Output
2085-OW16	Discrete	16-point, AC/DC Relay Output
2085-IF4	Analog	4-channel, 14-bit isolated <sup>(1)</sup> voltage/current input
2085-IF8	Analog	8-channel, 14-bit isolated <sup>(1)</sup> voltage/current input
2085-OF4	Analog	4-channel, 12-bit isolated <sup>(1)</sup> voltage/current output

### Micro800 Expansion I/O Modules

Catalog	Type	Description
2085-IRT4	Analog	4-channel, 16-bit isolated <sup>(1)</sup> RTD and Thermocouple input module
2085-EP24VDC	Power supply	Supplies power for up to four expansion I/O modules <sup>(2)</sup>
2085-ECR	Terminator	2085 bus terminator

(1) Refers to isolation from field side wiring to controller, **not** channel-to-channel isolation.

(2) Use only in a Micro870 system with more than four expansion I/O modules.

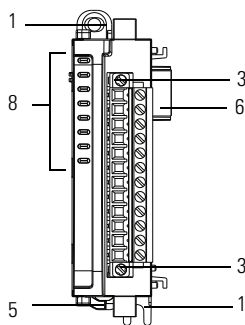
The bus terminator, 2085-ECR, serves as an end cap and terminates the end of the serial communication bus. It is **required** whenever an expansion I/O module is connected to the controller and should be connected to the last expansion I/O module in the system.

## Hardware Features

Micro800 expansion I/O modules come as a single-width (90 x 28 x 87 mm, HxWxD) or double-width (90 x 46 x 87 mm, HxWxD) form factor. See [Specifications on page 51](#) for information on module dimensions.

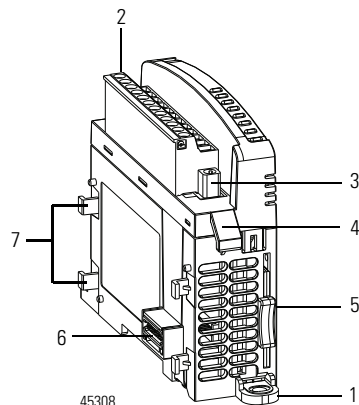
### Single-width Expansion I/O

2085-OW8 shown



45307

Front view



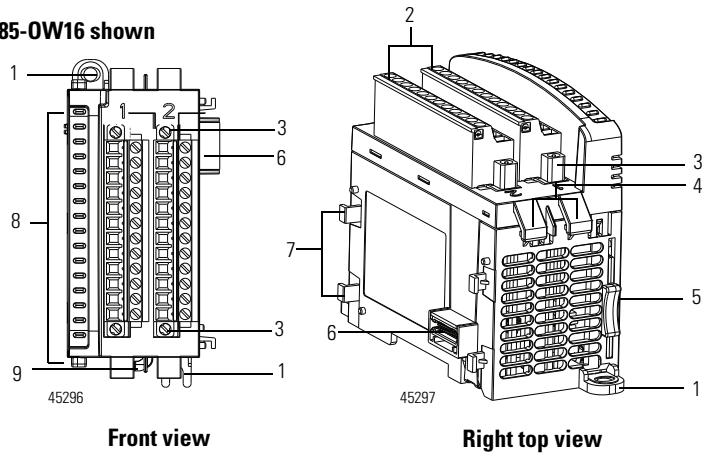
45308

Right top view



### Double-width Expansion I/O

2085-0W16 shown

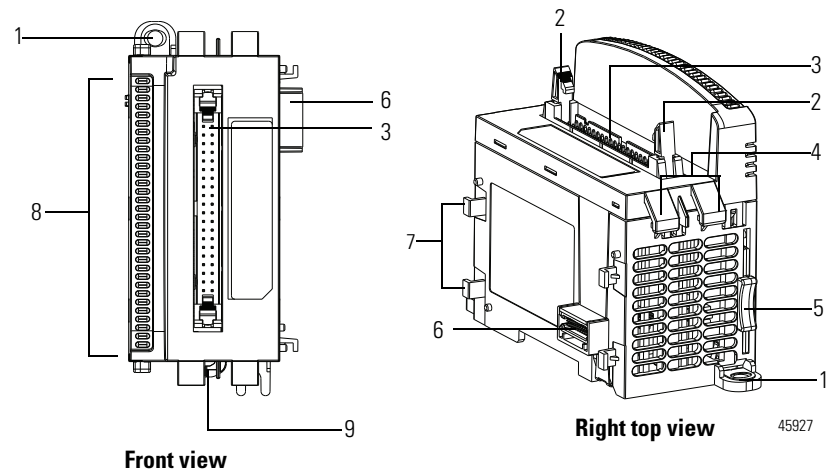


### Module Description

Description		Description	
1	Mounting screw hole / mounting foot	6	Bus connector (male/female)
2	Removable Terminal Block (RTB) <sup>(1)</sup>	7	Latch hooks
3	RTB hold down screws	8	I/O status LED
4	Cable grip	9	DIN rail mounting latch
5	Module interconnect latch		

(1) The removable terminal block has slots for mechanical keying, to prevent inadvertently making the wrong wire connections to your module. Expansion I/O modules are shipped with keys.

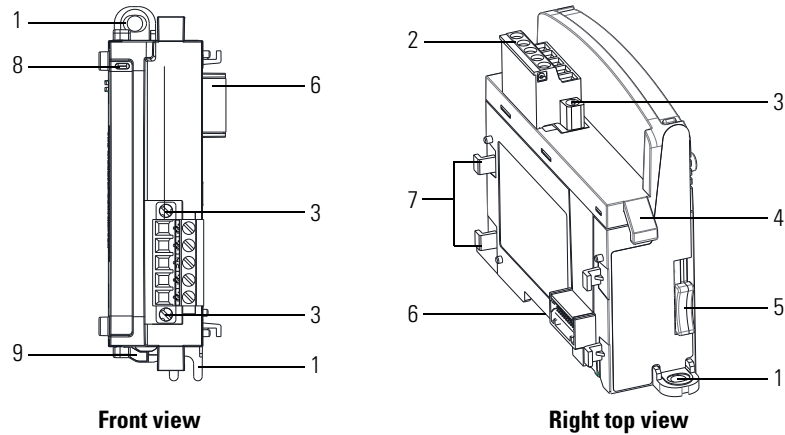
### 2085-IQ32T Hardware Features



**2085-IQ32T Hardware Components**

	Description		Description
1	Mounting screw hole / mounting foot	6	Bus connector (male and female)
2	Connector	7	Latch hooks
3	Connector retaining arm	8	I/O status LEDs
4	Cable grip	9	DIN rail mounting latch
5	Module interconnecting latch		

**2085-EP24VDC Hardware Features**



**2085-EP24VDC Hardware Components**

	Description		Description
1	Mounting screw hole / mounting foot	6	Bus connector (male and female)
2	Removable Terminal Block (RTB)	7	Latch hooks
3	RTB hold down screws	8	Power status LED
4	Cable grip	9	DIN rail mounting latch
5	Module interconnecting latch		

**Summary**

This chapter included a brief introduction to the different analog and discrete Micro800 expansion I/O modules and their hardware features.

## Discrete and Analog Expansion I/O Features

### Overview

This section includes a brief description of the different features and configuration parameters for the analog and discrete Micro800 expansion I/O modules. It covers the following topics.

Topic	Page
Discrete Expansion I/O Features	5
Discrete Input	5
Discrete Output	6
Analog Expansion I/O Features	7
Analog Input and Output	7
Specialty Module 2085-IRT4 Temperature Input Module	13

### Discrete Expansion I/O Features

Micro800 discrete expansion I/O modules are input/output modules that provide On/Off detection and actuation.

#### *Module Information*

The Connected Components Workbench programming software makes it easy to configure the modules as most module features can be enabled or disabled through the device configuration portion of the software. You can also use the software to check any expansion I/O module in the system to retrieve:

- hardware revision information
- vendor ID
- module information

#### *Channel Status Indicator Information*

The discrete expansion I/O modules have yellow status indicators for each input/output point which indicates the On/Off state of the point.

### Discrete Input

Discrete input modules interface to sensing devices and detect whether they are On or Off. These modules convert AC or DC On/Off signals from user devices to appropriate logic level for use within the processor.

The 2085-IA8, 2085-IM8, 2085-IQ16 and 2085-IQ32T modules update the controller with new data whenever an input point transitions from On to Off and Off to On.

On to Off and Off to On filter times can be adjusted through the Connected Components Workbench software. These filters improve noise immunity within a signal. A larger filter value affects the length of delay times for signals from these modules.

You can select from a series of operational ranges for each channel. The range designates the minimum and maximum signals that are detectable by the module.

## Discrete Output

Output modules may be used to drive a variety of output devices. Typical output devices compatible with the outputs include:

- motor starters
- solenoids
- indicators

Follow these guidelines when designing a system.

- Make sure that the outputs can supply the necessary surge and continuous current for proper operation. (See [Specifications on page 51](#) for more information.)
- Make sure that the surge and continuous current are not exceeded. Damage to the module could result. When sizing output loads, check the documentation supplied with the output device for the surge and continuous current needed to operate the device. The Micro800 standard digital outputs are capable of directly driving the Micro800 standard digital inputs.

**TIP** User-configurable options are not available in Connected Components Workbench for discrete output modules.

---

**IMPORTANT** On controller minor and major fault, all output channels are de-energized.

---

## Analog Expansion I/O Features

This section pertains to the following Micro800 analog expansion I/O modules:

### Micro800 Expansion I/O Modules

Catalog	Type	Description
2085-IF4	Analog	4-channel, 14-bit isolated <sup>(1)</sup> voltage/current input
2085-IF8	Analog	8-channel, 14-bit isolated <sup>(1)</sup> voltage/current input
2085-OF4	Analog	4-channel, 12-bit isolated <sup>(1)</sup> voltage/current output
2085-IRT4	Analog	4-channel, 16-bit isolated <sup>(1)</sup> RTD and Thermocouple input module

(1) Refers to isolation from field side wiring to controller, **not** channel-to-channel isolation.

Analog expansion I/O modules are interface modules that convert analog signals to digital values for inputs and convert digital values to analog signals for outputs. Controllers can then use these signals for control purposes.

## Analog Input and Output

### *Input/Output Types and Ranges*

The 2085-IF4 and 2085-IF8 modules support four and eight input channels, respectively, while the 2085-OF4 supports four output channels. Each of the channels can be configured as current or voltage input/output, with current mode as default configuration.

### Input/Output Type/Range for 2085-IF4, 2085-IF8, and 2085-OF4

Module	Input/Output Type/Range
2085-IF4	0...20 mA
2085-IF8	4...20 mA (default)
2085-OF4	-10...10 V

To use an input or output as a current or voltage device, you must:

- wire the input/output connector for the correct input/output type (see [Input/Output Wiring on page 17](#))
- configure the input/output as current or voltage through Connected Components Workbench (see [Configure Your Expansion I/O Module on page 35](#))

## Analog Data Formats

This parameter configures each channel to present analog data in any of the following formats:

- **Raw/Proportional Data** – The value presented to the controller is proportional to the selected input and scaled into the maximum data range allowed by the bit resolution of the A/D converter. For example, the data value range for a  $\pm 10\text{V}$  DC user input is  $-32,768 \dots 32,767$ , which covers the full-scale range of  $-10.5 \dots 10.5\text{V}$ . See [Valid Range of the Data Formats for 2085-IF4, 2085-IF8, and 2085-OF4 on page 8](#).
- **Engineering Units** – The module scales the analog input data to the actual current or voltage values for the selected input range. The resolution of the engineering units is  $0.001\text{V}$  or  $0.001\text{ mA}$  per count.
- **Percent Range** – The input data is presented as a percentage of the normal operating range. For example,  $0\text{V} \dots 10\text{V}$  DC equals  $0 \dots 100\%$ . The amount over and under the normal operating range (the full-scale range) is also supported.

### Valid Range of the Data Formats for 2085-IF4, 2085-IF8, and 2085-OF4

The valid range of each Data Format corresponds to the **full range** of each Type/Range (or normal range). For example, the full range of  $0 \dots 20\text{ mA}$  is  $0 \dots 21\text{ mA}$ .

#### Valid Range of the 2085-IF4 and 2085-IF8 Data Formats

Data Format	Type/Range			
	$0 \dots 20\text{ mA}^{(4)}$	$4 \dots 20\text{ mA}^{(4)}$	$-10 \dots 10\text{V}^{(4)}$	$0 \dots 10\text{V}^{(4)}$
Raw/Proportional Data <sup>(1)</sup>	$-32768 \dots 32767$			
Engineering Units <sup>(2)</sup>	$0 \dots 21000$	$3200 \dots 21000$	$-10500 \dots 10500$	$-500 \dots 10500$
Percent Range <sup>(3)</sup>	$0 \dots 10500$	$-500 \dots 10625$	Not supported	$-500 \dots 10500$

(1) See [Convert Analog Value to Data Format Value on page 9](#).

(2) The resolution is  $0.001\text{V}$  or  $0.001\text{ mA}$  per count. For example, 9999 here means  $9.999\text{V}$  or  $9.999\text{ mA}$  (or  $9999 \times 0.001$ ).

(3) The resolution is  $0.01\%$  per count. For example, 9999 here means  $99.99\%$  (or  $9999 \times 0.01\%$ ). See [Convert Analog Value to Data Format Value on page 9](#).

(4) The full range value of:  
 a.  $0 \dots 20\text{ mA}$  is  $0 \dots 21\text{ mA}$   
 b.  $4 \text{ to } 20\text{ mA}$  is  $3.2 \dots 21\text{ mA}$   
 c.  $-10 \dots 10\text{V}$  is  $-10.5 \dots 10.5\text{V}$   
 d.  $0 \dots 10\text{V}$  is  $-0.5 \dots 10.5\text{V}$

**Valid Range of the 2085-OF4 Data Formats**

Data Format	Type/Range			
	0...20 mA <sup>(4)</sup>	4...20 mA <sup>(4)</sup>	-10...10V <sup>(4)</sup>	0...10V <sup>(4)</sup>
Raw/Proportional Data <sup>(1)</sup>	-32768...32767			
Engineering Units <sup>(2)</sup>	0...21000	3200...21000	-10500...10500	0...10500
Percent Range <sup>(3)</sup>	0...10500	-500...10625	Not supported	0...10500

(1) See [Convert Analog Value to Data Format Value on page 9](#).

(2) The resolution is 0.001V or 0.001 mA per count. For example, 9999 here means 9.999V or 9.999 mA (or 9999 x 0.001).

(3) The resolution is 0.01% per count. For example, 9999 here means 99.99% (or 9999 x 0.01%). See [Convert Analog Value to Data Format Value on page 9](#).

(4) The full range value of:  
 a. 0...20 mA is 0...21 mA  
 b. 4...20 mA is 3.2...21 mA  
 c. -10...10V is -10.5...10.5V  
 d. 0...10V is 0...10.5V

**Convert Analog Value to Data Format Value**

The formula for converting an analog value x to a data format value y (or conversely, deriving data format value y to analog value x) is as follows:

$$Y = ((X - \text{Minimum Value of X Range}) * (\text{Range of Y}) / (\text{Range of X})) + (\text{Minimum Value of Y Range})$$

*Example 1:*

Find the analog value Y of Type/Range 4...20 mA when the Raw/Proportional Data X is -20000.

Given:

$$X = -20000$$

$$\text{Minimum value of X Range} = -32768$$

$$\text{Range of X} = 32767 - (-32768) = 65535$$

$$\text{Range of Y} = 21 - 3.2 = 17.8$$

$$\text{Minimum value of Y Range} = 3.2$$

Using the conversion formula:

$$Y = (-20000 - (-32768)) * 17.8 / 65535 + (3.2) = \mathbf{6.668 \text{ mA}}$$

*Example 2:*

Find the Raw/Proportional value (Y) of 10 mA (X) for type/range 4...20 mA.

Given:

X = 10 mA

Minimum Value of X Range = 3.2 mA (*Minimum value of 4...20 mA*)

Range of X = 21 - 3.2 = 17.8 mA (*Range of 4...20 mA*)

Range of Y = 32767 - (-32768) = 65535 (*Range of Raw/Proportional Data*)

Minimum Value of Y Range = -32768. (*Min value of Raw/Proportional Data*)

Using the conversion formula:

Y = -7732.15 (decimals are not displayed)

*Input Filter*

For the input modules, 2085-IF4 and 2085-IF8, the input filter parameter lets you specify the frequency filter type for each channel. Frequency filter type affects noise rejection, as explained below. Select a frequency filter type considering acceptable noise and response time.

Through the Connected Components Workbench software, you can configure input filter as:

- 50/60Hz Rejection (default)
- No Filter
- 2-Point Moving Average
- 4-Point Moving Average
- 8-Point Moving Average

*Noise Rejection*

The input modules use a digital filter that provides noise rejection for the input signals.

The moving average filter reduces the high frequencies and random white noise while keeping an optimal step response. (See specifications for [Analog Expansion I/O on page 58](#) for minimum and maximum response times.)

Normal Mode Rejection is better than 40 dB, while Common Mode Rejection is better than 60 dB @ 50/60 Hz, with the 50/60 Hz rejection filters selected. The modules perform well in the presence of common mode noise as long as the signals applied to the user plus and minus input terminals do not exceed the common mode voltage rating ( $\pm 10$  V) of the modules. Improper earth ground may be a source of common mode noise.



### *Process Level Alarms*

Process level alarms alert you when the module has exceeded configured high and low limits for each channel (for input modules, it provides additional high-high and low-low alarms). When the channel input or output goes below a low alarm or above a high alarm, a bit is set in the status words. All Alarm Status bits can be read individually or read through the Channel Status Byte.

For the output module, 2085-OF4, it is possible to latch the alarm status bit when the latch configuration is enabled.

You can configure each channel alarm individually.

### *Clamping Limits and Alarm*

For the output module, 2085-OF4, clamping limits the output from the analog module to remain within a range configured by the controller, even when the controller commands an output outside that range. This safety feature sets a high clamp and a low clamp. Once clamps are determined for a module, any data received from the controller that exceeds those clamps transitions the output to that limit but not beyond the clamp value. It also sets the alarm status bit when the alarm is enabled. It is also possible to latch the alarm status bit when the latch configuration is enabled.

For example, an application may set the high clamp on a module for 8V and the low clamp for -8V. If a controller sends a value corresponding to 9V to the module, the module will only apply 8V to its screw terminals.

You can configure the clamp limit (high/low clamp), the associated alarm, and its latching configuration on a per channel basis.

The following table shows the default values of the High/Low Clamps (in the order of low clamp value followed by the high clamp value) for the respective type/range when they are first enabled. You can change these values (within their full range) according to your application.

**Default Range of High Clamp/Low Clamp Values**

<b>Data Format</b>	<b>0...20 mA</b>	<b>4...20 mA</b>	<b>-10...10V</b>	<b>0...10V</b>
Raw/Proportional Data	-32768, 29647	-29822, 29086	-31207, 31207	-32768, 29647
Engineering Units	0, 20000	4000, 20000	-10000, 10000	0, 10000
Percent Range	0, 10000	0, 10000	Not supported	0, 10000

### Channel Status Indicator Information for 2085-IF4 and 2085-IF8

The 2085-IF4 and 2085-IF8 modules use red LEDs to indicate when certain operating conditions occur on the analog input channels. The behavior for the channel status indicators are described in the following table.

#### Channel Status Indicator Information for 2085-IF4 and 2085-IF8

Operating Condition	Channel Status Indicator	Status Data
Analog Input Channel is disabled	OFF	Analog input status values can be read from Global Variables IO_Xx_ST_yy. Where "x" represents the expansion slot number 1...4, and "yy" represents the status word number 00...02.
Analog Input Channel is enabled and: <ul style="list-style-type: none"> <li>• no data error is present, or</li> <li>• closed, or</li> <li>• not underrange or overrange</li> </ul>	OFF	
Analog Input Channel is enabled and data error is present	RED	
Analog Input Channel is enabled and the connection is open	RED	
Analog Input Channel is enabled and either of the Underrange or Overrange alarms configured is triggered: <ul style="list-style-type: none"> <li>• Low Alarm</li> <li>• Low Low Alarm</li> <li>• High Alarm</li> <li>• High High Alarm</li> </ul>	RED	

## Specialty Module 2085-IRT4 Temperature Input Module

The 2085-IRT4 module lets you configure a sensor type for each of four input channels that linearizes analog signal into a temperature value.

### Sensor Type

The following Thermocouple and RTD sensor types are supported by the 2085-IRT4 expansion I/O module.

#### Supported Thermocouple Types and mV Range

Sensor Range	Range
B	300...1800 °C (572...3272 °F)
C	0...2315 °C (32...4199 °F)
E	-270...1000 °C (-454...1832 °F)
J	-210...1200 °C (-346...2192 °F)
K	-270...1372 °C (-454...2502 °F)
TXK/XK (L)	-200...800 °C (-328...1472 °F)
N	-270...1300 °C (-454...2372 °F)
R	-50...1768 °C (-58...3214 °F)
S	-50...1768 °C (-58...3214 °F)
T	-270...400 °C (-454...752 °F)
mV	0...100 mV

#### Supported RTD Types and Ohms Range

Sensor Range	Range
100 Ω Pt $\alpha = 0.00385$ Euro	-200...870 °C (-328...1598 °F)
200 Ω Pt $\alpha = 0.00385$ Euro	-200...400 °C (-328...752 °F)
100 Ω Pt $\alpha = 0.003916$ U.S.	-200...630 °C (-328...1166 °F)
200 Ω Pt $\alpha = 0.003916$ U.S.	-200...400 °C (-328...752 °F)
100 Ω Nickel 618	-60...250 °C (-76...482 °F)
200 Ω Nickel 618	-60...200 °C (-76...392 °F)
120 Ω Nickel 672	-80...260 °C (-112...500 °F)
10 Ω Copper 427	-200...260 °C (-328...500 °F)
Ohms	0...500 Ohms

## Data format

You can configure the following data formats for channels 0...3 through the Connected Components Workbench software.

- **Engineering Units x 1** – If you select engineering units x 1 as the data format for a Thermocouple and RTD input, the module scales input data to the actual temperature values for the selected Thermocouple/RTD type per Thermocouple/RTD standard. It expresses temperatures in 0.1 °C/° F units. For resistance inputs, the module expresses resistance in 0.1 ohm per count. For mV inputs, the module expresses it in 0.01 mV per count.
- **Engineering Units x 10** – For a Thermocouple or RTD input, the module scales input data to the actual temperature values for the selected Thermocouple/RTD type per Thermocouple/RTD standard. With this format, the module expresses temperatures in 1 °C/° F units. For resistance inputs, the module expresses resistance in 1 ohm per count. For mV inputs, the module expresses it in 0.1 mV per count.
- **Raw/Proportional Data Format** – The value presented to the controller is proportional to the selected input and scaled into the maximum data range allowed by the bit resolution of the A/D converter. For example, the full data value range for a thermocouple type B 300...1800 °C is mapped to -32768...32767. See [Convert Analog Value to Data Format Value on page 15](#) for the conversion method.
- **Percent Range** – The input data is presented as a percentage of the normal operating range. For example, 0...100 mV equals 0...100% or 300..1800 °C equals 0...100% for thermocouple type B sensor. See [Convert Analog Value to Data Format Value on page 15](#) for the conversion method.

## Valid Range of the Data Formats for 2085-IRT4

The following table shows the valid range of the Data Format versus the Data Type/Range for channels 0...3.

**Valid Range of the 2085-IRT4 Data Formats**

Data Format	Sensor Type – Temperature (10 Thermocouples, 8 RTDs)	Sensor Type 0...100 mV	Sensor Type 0...500 ohms
Raw/Proportional Data <sup>(1)</sup>	-32768...32767		
Engineering Units x 1	Temperature Value <sup>(3)</sup> (°C/°F)	0...10000 <sup>(5)</sup>	0...5000 <sup>(7)</sup>
Engineering Units x 10	Temperature Value <sup>(4)</sup> (°C/°F)	0...1000 <sup>(6)</sup>	0...500 <sup>(8)</sup>
Percent Range <sup>(2)</sup>	0...10000		

(1) See [Convert Analog Value to Data Format Value on page 15](#).

(2) The resolution is 0.01% per count. For example, 9999 here means 99.99% (or 9999 x 0.01%). See [Convert Analog Value to Data Format Value on page 15](#) for the conversion method.

(3) The resolution is 0.1 °C/°F per count. For example, 999 here means 99.9 °C/°F (or 999 x 0.1 °C/°F). The range depends on the selected sensor type.

- (4) The resolution is 1 °C/°F per count. For example, 999 here means 999 °C/°F (or 999 x 1 °C/°F). The range depends on the selected sensor type.
- (5) The resolution is 0.01 mV per count. For example, 9999 here means 99.99 mV (or 9999 x 0.01 mV).
- (6) The resolution is 0.1 mV per count. For example, 999 here means 99.9 mV (or 999 x 0.1 mV).
- (7) The resolution is 0.1 ohm per count. For example, 4999 here means 499.9 ohm (or 4999 x 0.1 ohm).
- (8) The resolution is 1 ohm per count. For example, 499 here means 499 ohm (or 499 x 1 ohm).

## Convert Analog Value to Data Format Value

The formula for converting an analog value  $x$  to a data format value  $y$ , or converting data format value  $y$  to analog value  $x$ , is as follows:

$$Y = ((X - \text{Minimum Value of X Range}) * (\text{Range of Y}) / (\text{Range of X})) + (\text{Minimum Value of Y Range})$$

*Example:*

Find the temperature value  $Y$  of thermocouple type K when the Raw/Proportional Data  $X$  is -20000.

Given:

$X = -20000$  (Raw/Proportional Value)

Minimum value of X Range = -32768 (Minimum value of Raw/Proportional Data)

Range of X = 32767 - (-32768) = 65535 (Range of Raw/Proportional Data)

Range of Y = 1372 - (-270) = 1642 (Range of Thermocouple K in °C)

Minimum value of Y Range = -270 °C (Minimum value of Thermocouple K)

Then:

$$Y = (-20000 - (-32768)) * 1642 / 65535 + (-270 \text{ °C}) = \mathbf{49.9 \text{ °C}}$$

### *Temperature Units*

Temperature value can be set to °C (default) or °F.

### *Open circuit response*

This parameter defines the response to be taken by the module during an open circuit.

- Upscale – Sets input to full upper scale value of channel data word. The full-scale value is determined by the selected input type, data format, and scaling.
- Downscale – Sets input to full lower scale value of channel data word. The low scale value is determined by the selected input type, data format, and scaling.
- Hold Last State – Sets input to last input value.
- Zero – Sets input to 0 to force the channel data word to 0.

### *Filter frequency*

The 2085-IRT4 module uses a digital filter that provides noise rejection for the input signals. The filter is set by default at 4 Hz. The digital filter provides -3 dB (50% amplitude) attenuation at a filter frequency of 4 Hz.

The -3 dB frequency is the filter cut-off frequency. The cut-off frequency is defined as the point on the frequency response curve where frequency components of the input signal are passed with 3 dB of attenuation. All input frequency components at or below the cut-off frequency are passed by the digital filter with less than 3 dB of attenuation. All frequency components above the cutoff frequency are increasingly attenuated.

The cut-off frequency for each channel is defined by its filter frequency selection and is equal to the filter frequency setting. Choose a filter frequency so that your fastest changing signal is below that of the filter's cut-off frequency. The cut-off frequency should not be confused with the update time. The cut-off frequency relates to how the digital filter attenuates frequency components of the input signal. The update time defines the rate at which an input channel is scanned and its channel data word is updated.

A lower filter frequency provides a better noise rejection, but it also increases the update time. Conversely, a higher filter frequency provides a faster update time, but it decreases the noise rejection and effective resolution.

**TIP** For quickstart instructions on how to add, configure, delete and replace your expansion I/O module, see [Configure Your Expansion I/O Module](#).

## Summary

This chapter discussed the features of the analog and discrete Micro800 expansion I/O modules.

## Wiring Connections

In solid-state control systems, grounding and wire routing helps limit the effects of noise due to electromagnetic interference (EMI).

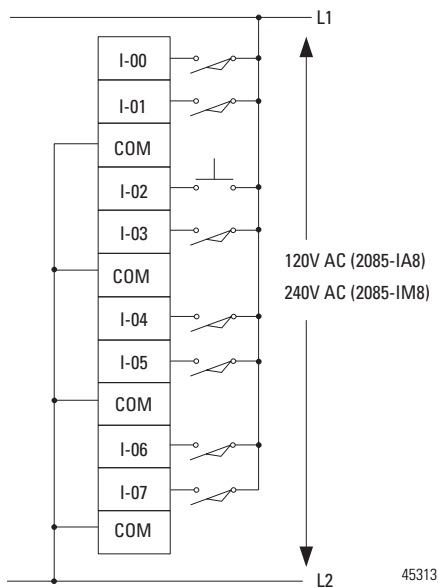


**ATTENTION:** Do not wire more than 2 conductors on any single terminal.

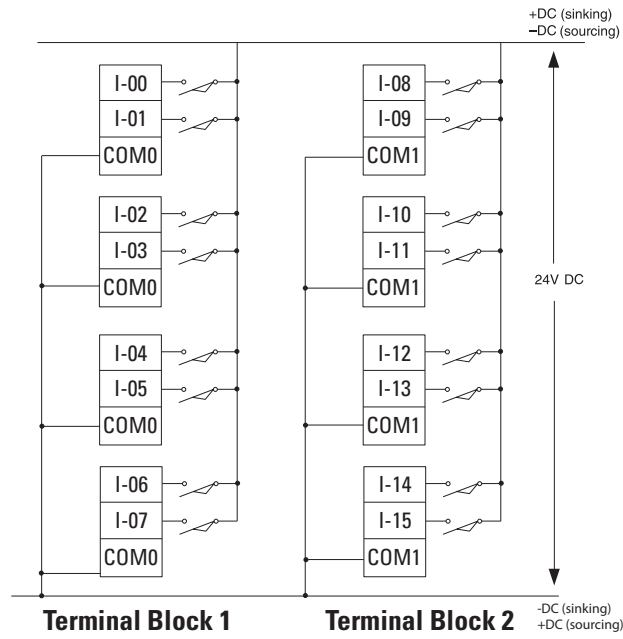
### Input/Output Wiring

Basic wiring of devices to the expansion I/O modules are shown below.

#### 2085-IA8 or 2085-IM8

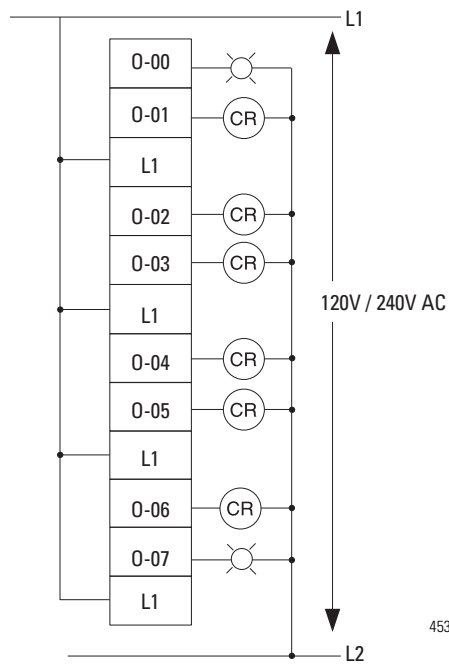


**2085-IQ16**



45299

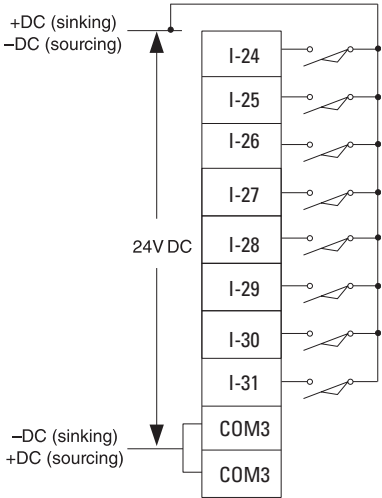
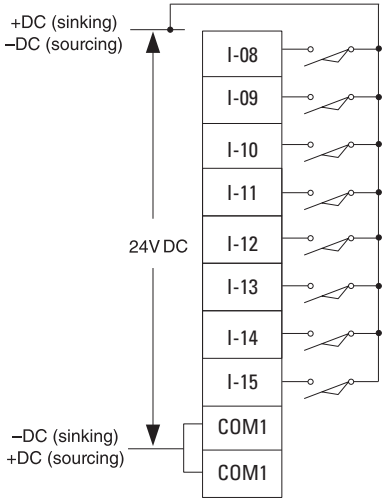
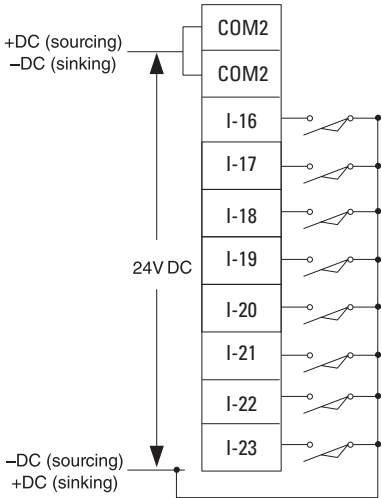
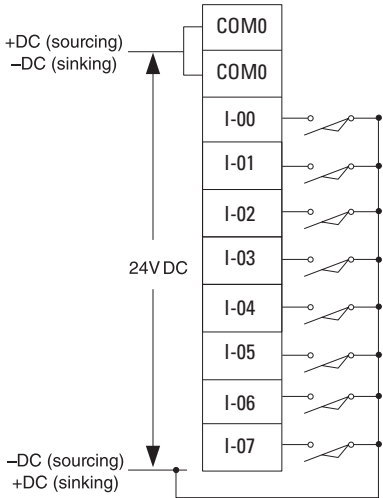
**2085-OA8**



45314



2085-IQ32T

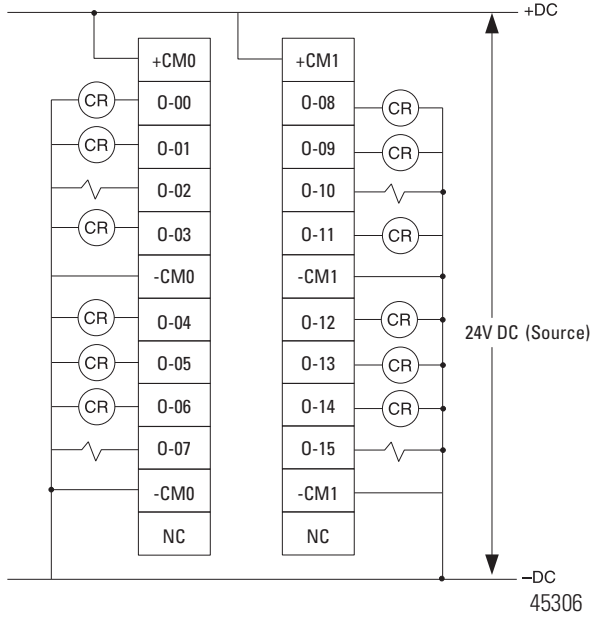


45300

See [Wiring Options for the 2085-IQ32T Module on page 24](#).

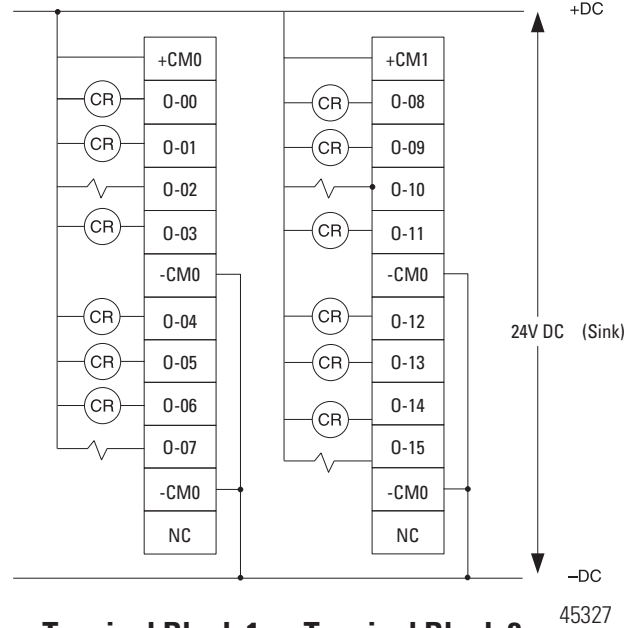
2085-OB16 and 2085-OV16

2085-OB16



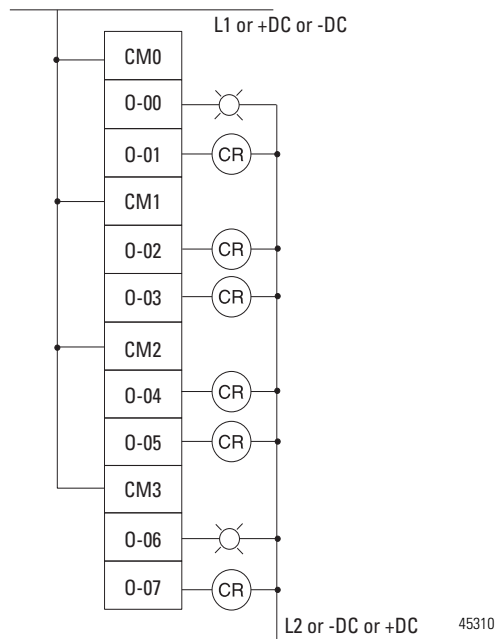
Terminal Block 1 Terminal Block 2

2085-OV16

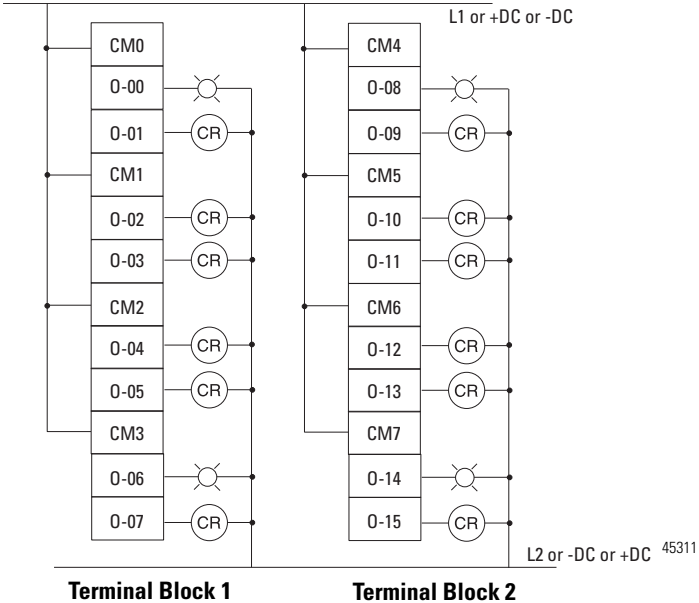


Terminal Block 1 Terminal Block 2

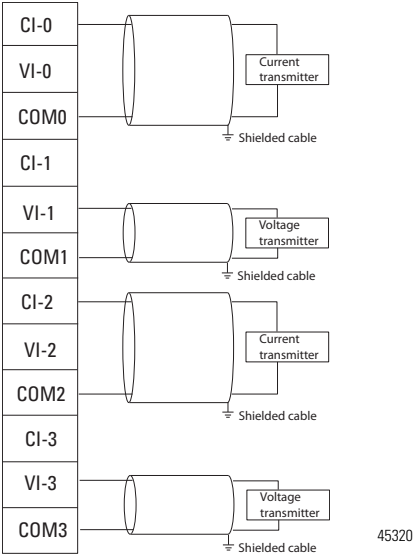
2085-OW8



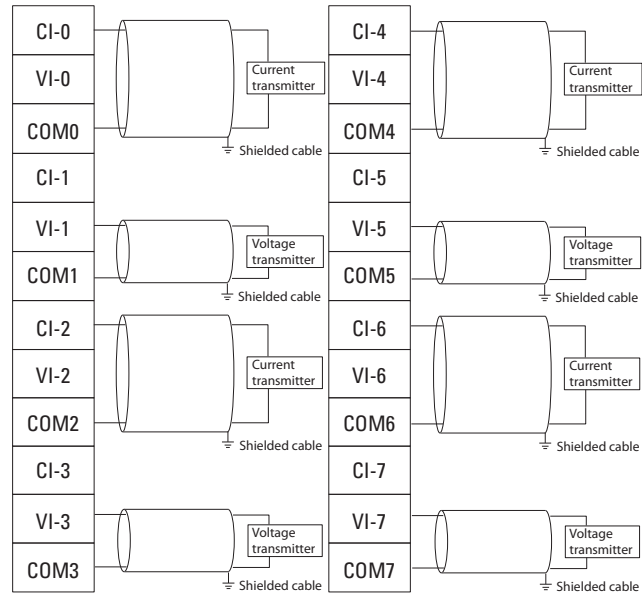
**2085-0W16**



**2085-IF4**



**2085-IF8**

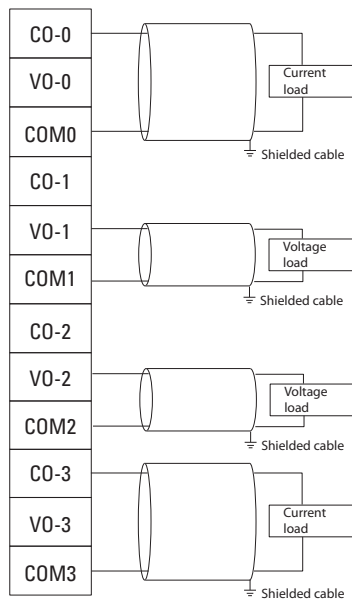


45322

**Terminal Block 1**

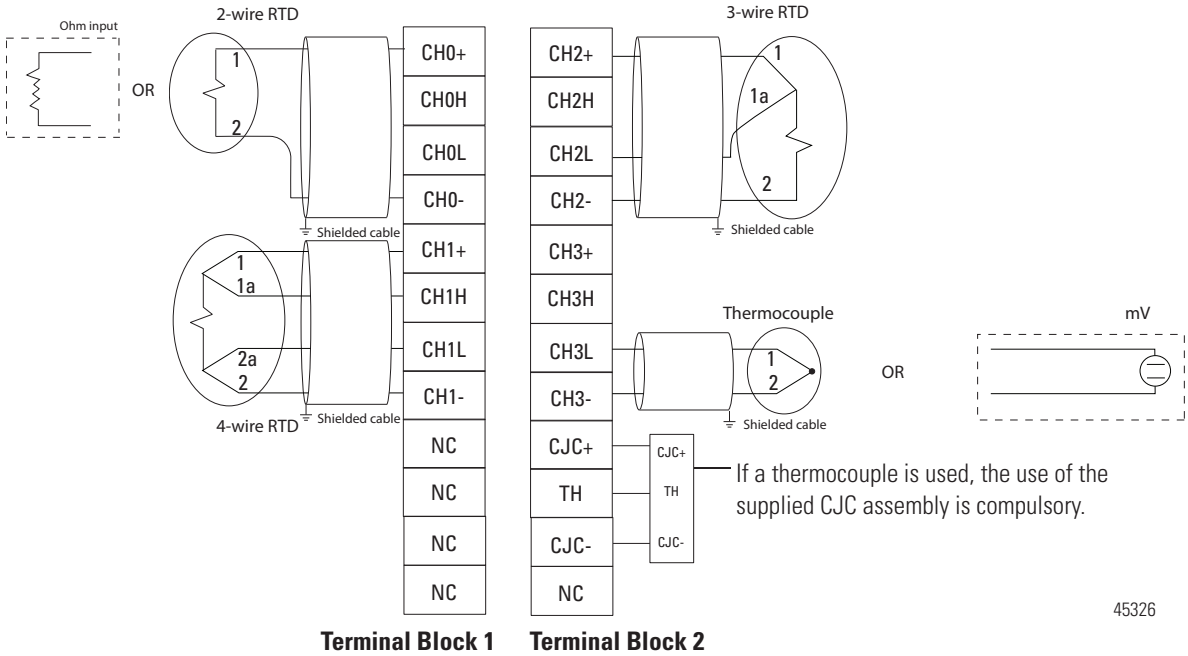
**Terminal Block 2**

**2085-OF4**



45321

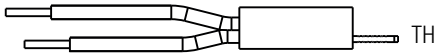
2085-IRT4



45326

**Thermistor**

CJC- (Black)



CJC+ (Red)

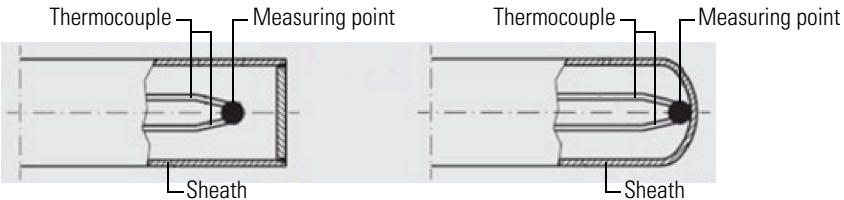


**ATTENTION:** There is no channel-to-channel isolation for the 2085-IRT4 module. It is recommended to use a non-grounded thermocouple for better noise immunity.

**Tip designs of thermocouple sensors**

**Measuring point insulated (ungrounded)**

**Measuring point not insulated (grounded)**



## Wiring Options for the 2085-IQ32T Module

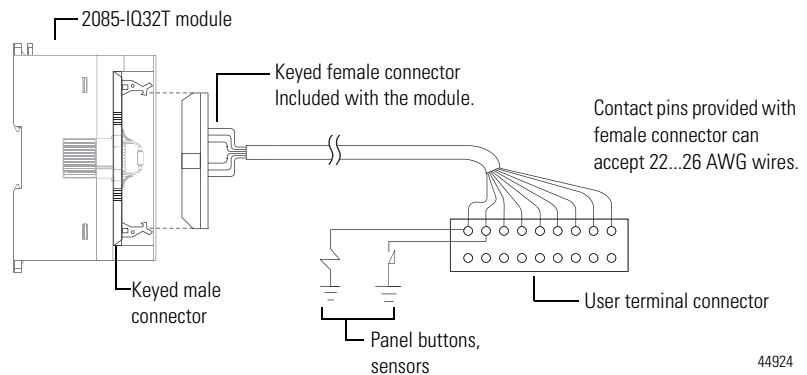
Included with your 2085-IQ32T module is a keyed 40-pin female connector and crimp type pins. These components allow you to wire I/O devices to the module using a 40-conductor cable or individual wires.



**ATTENTION:** To comply with UL restrictions, this equipment must be powered from a source compliant with the following:  
Class 2 or Limited Voltage/Current.

When assembled, align the female connector over the module's male header using the keying slot as a guide. Firmly lock them together with the upper and lower retaining arms.

### Option 1 – Wire the Connector with Available 40-pin Connector



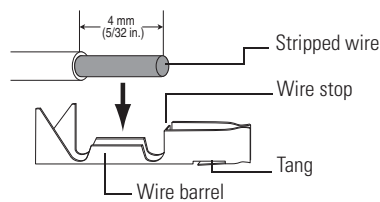
### Assemble the Wire Contacts

1. Strip the wire insulation to expose 4 mm (5/32 in.) of wire. Crimp pins can accept 22...26 AWG wire.

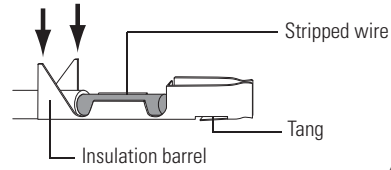


**ATTENTION:** Be careful when stripping wires. Wire fragments that fall into the module could cause damage. Once wiring is complete, be sure the module is free of all metal fragments before removing the protective debris strip. Failure to remove the strip before operating can cause overheating.

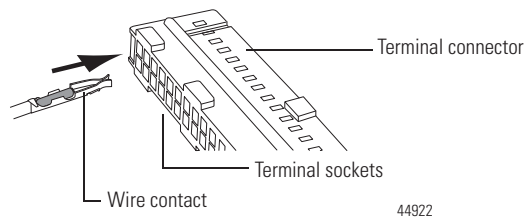
2. Insert the wire into the crimp pin as far as the wire stop.



3. Crimp the wire barrel around the wire using small needle nose pliers.
4. Crimp the insulation barrel around the wire insulation using small needle nose pliers.



5. Solder wire and wire barrel together using lead-free solder and soldering pencil.
6. Insert the assembled wire contact into the terminal socket. Push the wire contact in until the tang latches. Make sure the tang is properly latched by lightly pulling on the wire.



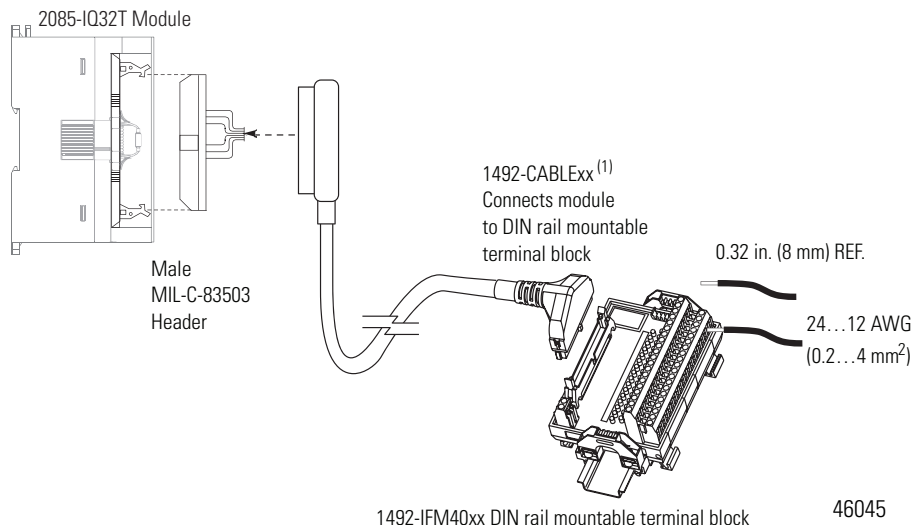
### Option 2 – Use Allen-Bradley 1492 Connector Cables with Flying Leads

Preassembled 40-conductor cables with the 40-pin connector on one end and flying leads on the other end are also available from Allen-Bradley. They are available in 1 m, 2.5 m, and 5 m lengths. The catalog numbers from shortest to longest are:

- 1492-CAB010U62 (or 1492-CAB010P62)
- 1492-CAB025U62 (or 1492-CAB025P62)
- 1492-CAB050U62 (or 1492-CAB050P62)

The “U62” cables route the cable upward when plugged into the module, while “P62” cables route the cable downward when plugged into the module.

**Option 3 – Use Allen-Bradley 1492 Cables with Keyed Connectors**



- (1) Maximum user cable length is dependent on how much voltage drop (current x (ohms/ft.) x (feet)) the user system can tolerate. The user system should take into account the minimum turn-on voltage required by external loads connected to the module, the minimum turn-on voltage required by the module, and all of the voltage drops associated with wiring to and from the load, sensors, terminal blocks, power sources and the module itself. See the table on [page 26](#) for voltage drop values for the 1492 cables shown above.

Allen-Bradley 1492 wiring systems are available for connecting the I/O module to external I/O. These wiring systems include a pre-wired cable available in four lengths: 0.5m (1.6 feet), 1.0m (3.3 feet), 2.5m (8.2 feet), 5.0m (16.4 feet). An Interface Module for connecting external devices is also available. Cables are equipped with keyed connectors at both ends for proper connections. Interface modules are DIN rail mountable and are available with or without field side status indicating LEDs. Stick-on labels are provided with the Interface modules to identify I/O wiring termination points.

**1492 Cables**

Catalog No.	Voltage Drop @ 30 °C		Voltage Drop @ 60 °C	
	V DC and DC Com Wires <sup>(1)</sup>	Output Channel Wires <sup>(2)</sup>	V DC and DC Com Wires	Output Channel Wires
1492-CABLE005H	127 mv	34 mv	144 mv	38 mv
1492-CABLE010H	173 mv	45 mv	196 mv	51 mv
1492-CABLE025H	334 mv	83 mv	388 mv	95 mv
1492-CABLE050H	574 mv	147 mv	686 mv	169 mv

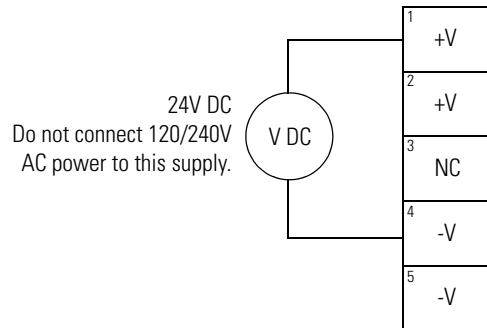
(1) Voltage drop @ maximum rated current of 2 amps per conductor.

(2) Voltage drop at maximum rated current of 0.5 amps per output channel.



## Expansion I/O Power Supply Wiring

A single 5-pin Removable Terminal Blocks (RTB) is included with your 2085-EP24VDC module. Use a single external power supply to power both the module and Micro800 controller.



**ATTENTION:** To comply with the CE Low Voltage Directive (LVD), this equipment must be powered from a source compliant with the following:  
Safety Extra Low Voltage (SELV) or Protected Extra Low Voltage (PELV).

## Summary

This chapter covered the input and output wiring connections for the different analog and discrete Micro800 expansion I/O modules.

**Notes:**

## Install Your Micro800 Expansion I/O

This chapter includes information on installing the Micro800 expansion I/O modules with the Micro800 controller.



**WARNING:** If you insert or remove the module while backplane power is on, an electrical arc can occur. This could cause an explosion in hazardous location installations. Be sure that power is removed before proceeding.

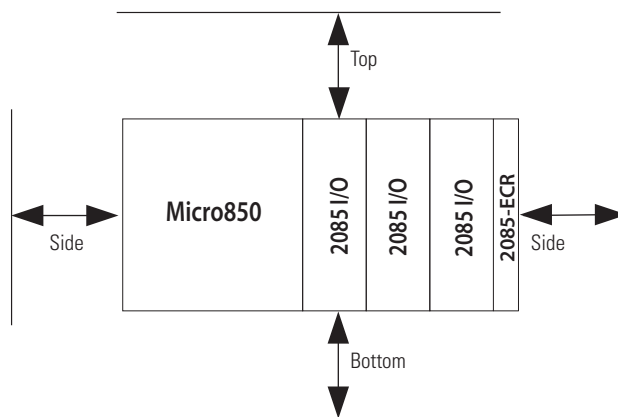
### Mount the Module

For more information on proper grounding guidelines, see the Industrial Automation Wiring and Grounding Guidelines, publication [1770-4.1](#).

### Module Spacing

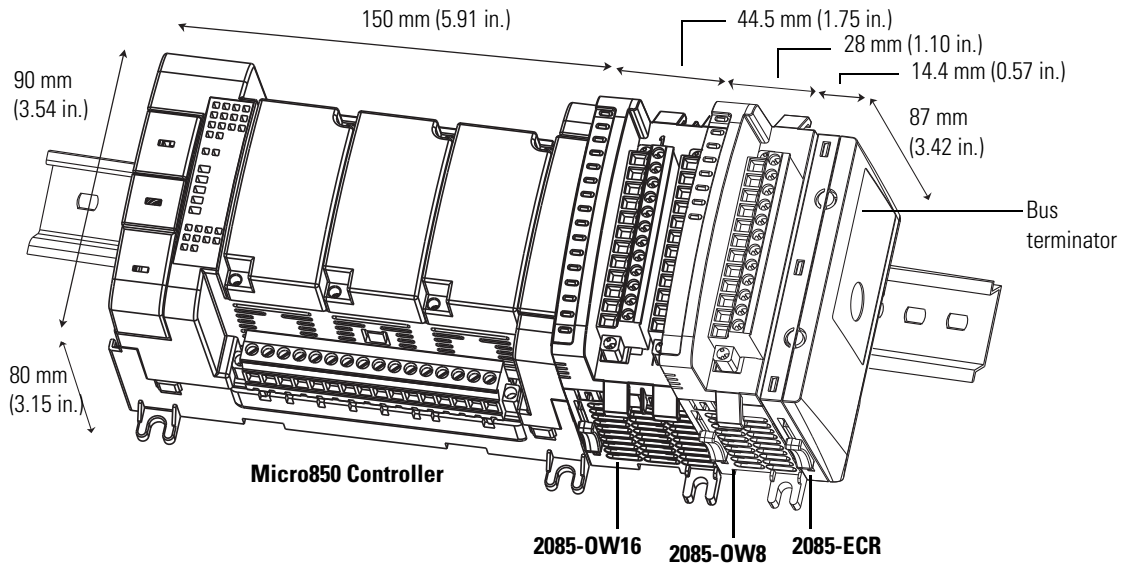
Maintain spacing from objects such as enclosure walls, wireways and adjacent equipment. Allow 50.8 mm (2 in.) of space on all sides for adequate ventilation, as shown:

#### Module Spacing for Micro850 System



44913

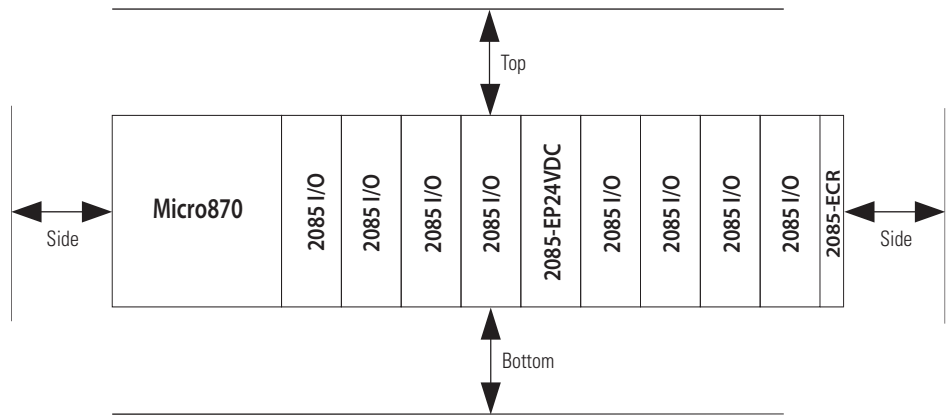
**Mounting Dimensions and DIN Rail Mounting – Micro850 Controllers**



45309

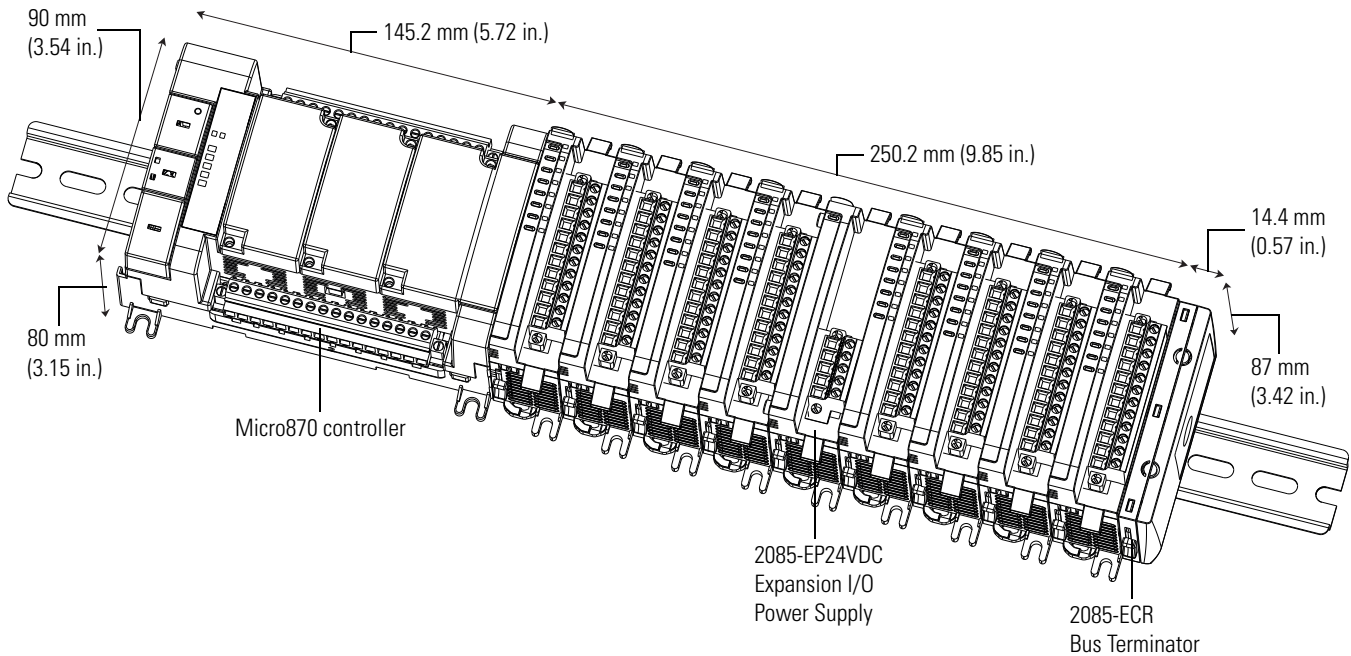
Mounting dimensions do not include mounting feet or DIN rail latches.

**Module Spacing for Micro870 System**



**ATTENTION:** Do not mount the expansion power supply directly next to the Micro870 controller. The expansion power supply only powers up to four expansion I/O modules to the right of the power supply. There can be only one expansion power supply in your system.

### Mounting Dimensions and DIN Rail Mounting – Micro870 Controllers



Mounting dimensions do not include mounting feet or DIN rail latches.

### DIN Rail Mounting

The module can be mounted using the following DIN rails: 35 x 7.5 mm x 1 mm (EN 50 022 - 35 x 7.5).

**TIP** For environments with greater vibration and shock concerns, use the panel mounting method, instead of DIN rail mounting.



**ATTENTION:** This product is grounded through the DIN rail to chassis ground. Use zinc plated yellow-chromate steel DIN rail to assure proper grounding. The use of other DIN rail materials (for example, aluminum or plastic) that can corrode, oxidize, or are poor conductors, can result in improper or intermittent grounding. Secure DIN rail to mounting surface approximately every 200 mm (7.8 in.) and use end-anchors appropriately.

Before mounting the module on a DIN rail, use a flat-blade screwdriver in the DIN rail latch and pry it downwards until it is in the unlatched position.

1. Hook the top of the DIN rail mounting area of the module onto the DIN rail, and then press the bottom until the module snaps onto the DIN rail.

2. Push the DIN rail latch back into the latched position.  
Use DIN rail end anchors (Allen-Bradley part number 1492-EAJ35 or 1492-EAHJ35) for vibration or shock environments.

To remove your module from the DIN rail, pry the DIN rail latch downwards until it is in the unlatched position.

## Panel Mounting

The preferred mounting method is to use two M4 (#8) per module. Hole spacing tolerance:  $\pm 0.4$  mm (0.016 in.).

Follow these steps to install your module using mounting screws.

1. Place the module next to the controller against the panel where you are mounting it. Make sure the controller and module are spaced properly.
2. Mark drilling holes through the mounting screw holes and mounting feet then remove the module.
3. Drill the holes at the markings, then replace the module and mount it. Leave the protective debris strip in place until you are finished wiring the module and any other devices.

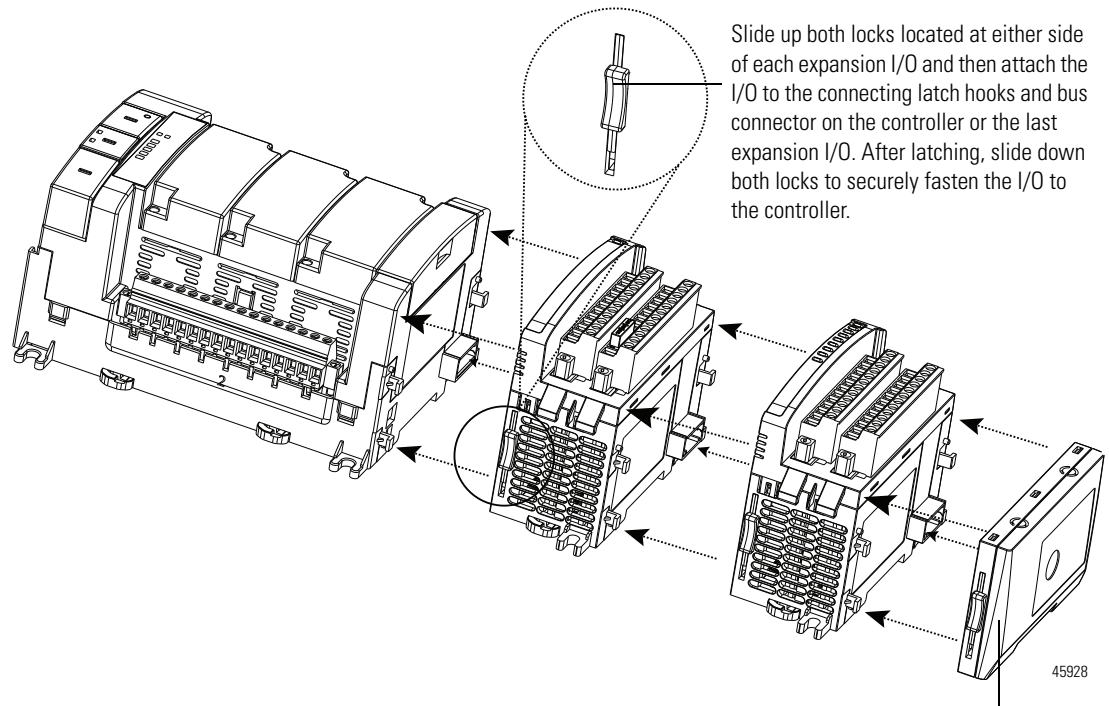
## System Assembly

The Micro800 expansion I/O module is attached to the controller or another I/O module by means of interconnecting latches and hooks. The Micro800 controller and expansion I/O modules must terminate with a 2085-ECR Bus Terminator module.



**ATTENTION:** Failure to connect a bus terminator module to the last expansion I/O module will result in a controller fault.

---



2085-ECR serves as an end cap and terminates the end of the serial communication bus. The end cap is connected to the last I/O module in the system.

## Summary

This chapter provided a step-by-step description of the process for assembling, mounting, and installing the Micro800 controller with the expansion I/O modules.

**Notes:**



## Configure Your Expansion I/O Module

### Overview

The following sample project guides you through the step-by-step process of adding, configuring, deleting, and replacing Micro800 expansion I/O modules in Connected Components Workbench.

**TIP** For more information about using the Connected Components Workbench software, you can refer to the Connected Components Workbench Online Help (it comes with your software).

In this sample project, you need to create a Connected Components Workbench project with a 2080-LC50-24QWB controller. Then, configure four expansion I/O devices (2085-IF4, 2085-IQ32T, 2085-OB16, 2085-IRT4) following the instructions below.

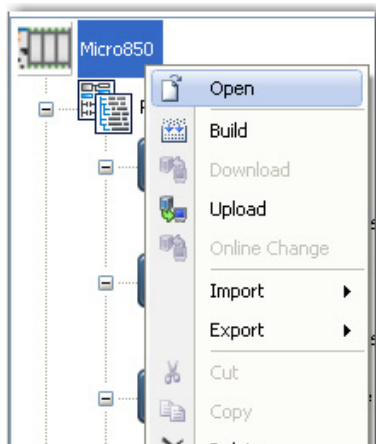
These instructions make use of the drag-and-drop mechanism available in Connected Components Workbench release 2 and higher, which allows the user to easily add, replace, and delete devices through simple drag-and-drop motion.

### Add an Expansion I/O

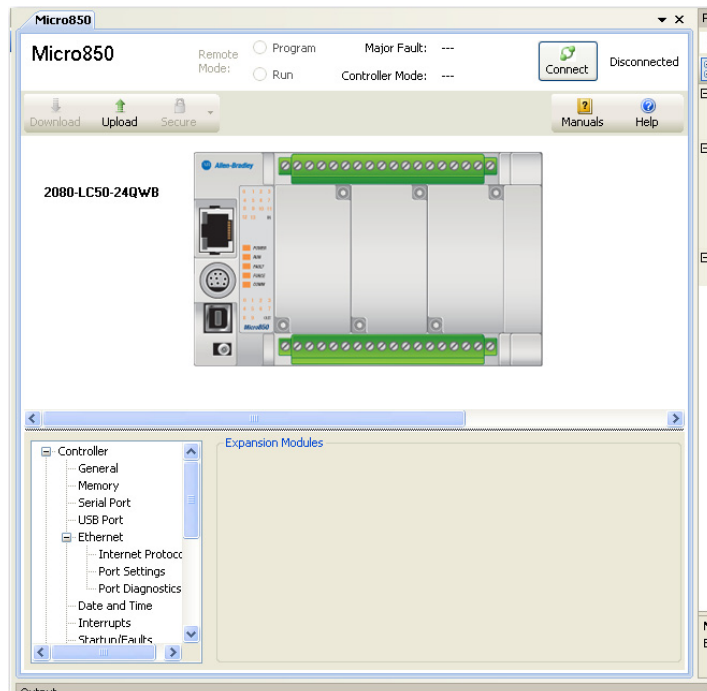
**TIP** Expansion I/O modules are automatically added to a project when using the "Discover" feature in Connected Components Workbench.

To add Expansion I/O modules to an existing Micro800 controller project, do the following:

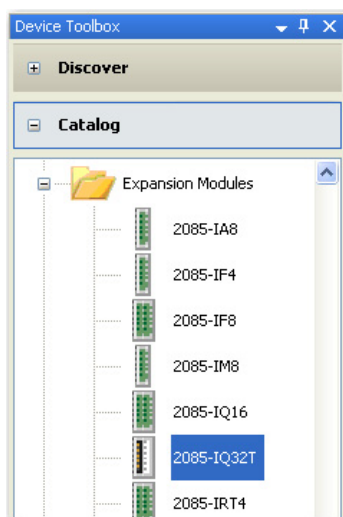
1. On the Project organizer pane, right-click Micro850 and choose Open.



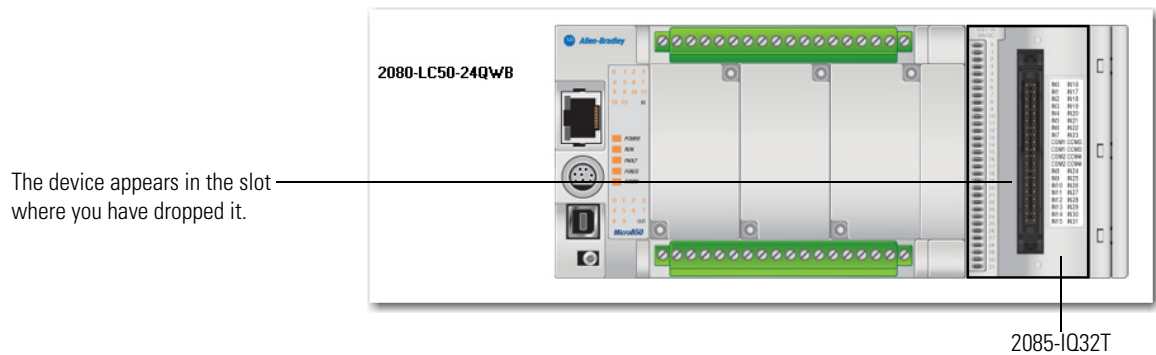
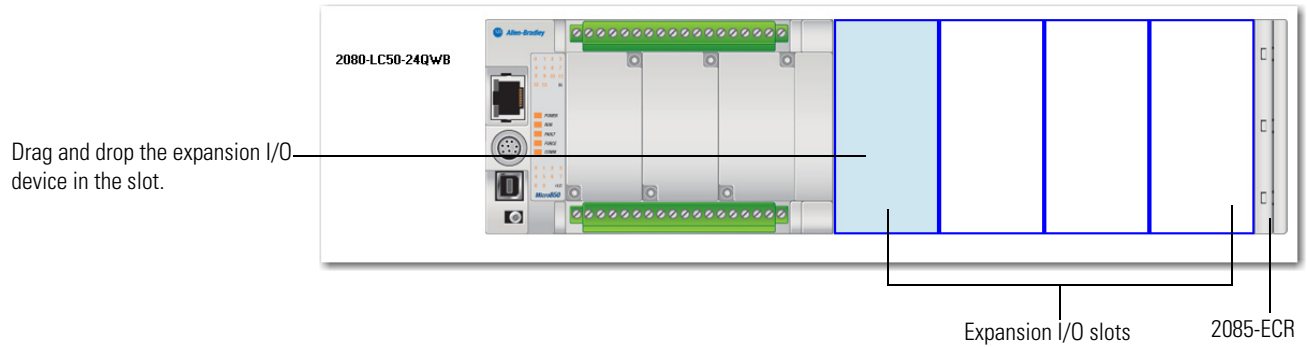
The Micro850 project page opens in the center pane with a graphical replica of the Micro850 controller on the first tier, Controller properties on the second tier, and an Output box on the last tier.



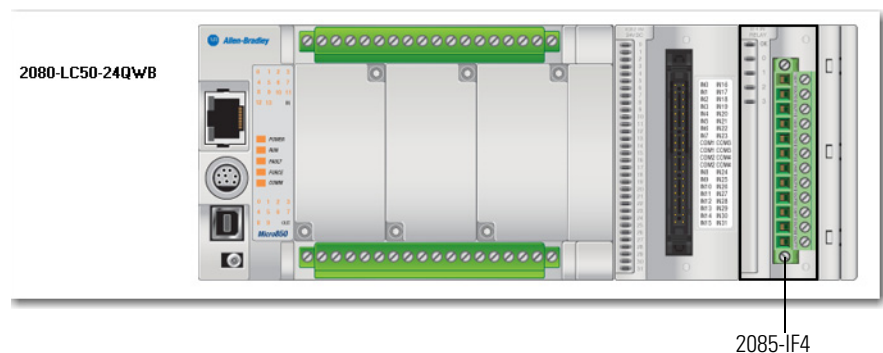
2. On the Device Toolbox pane, found at the rightmost corner of the Connected Components Workbench window, go to the Expansion Modules folder.



- Click and drag 2085-IQ32T to the right of the controller graphic at the center pane. Four blue slots appear to indicate available slots for expansion I/O modules. Drop 2085-IQ32T on the first and rightmost slot against the controller.



- From the Expansion Modules folder on the Device Toolbox pane, drag and drop 2085-IF4 on the second Expansion I/O slot, next to 2085-IQ32T.



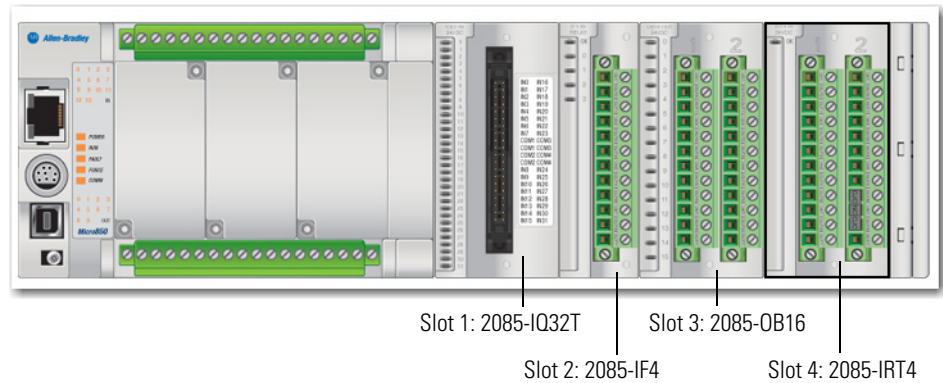
**TIP** To move an expansion I/O device to another slot, simply drag and drop the device to the preferred slot. For step-by-step instructions on how to delete and replace expansion I/O devices, see [Delete and Replace an Expansion I/O Configuration on page 48](#).

- From the Expansion Modules folder on the Device Toolbox, drag and drop 2085-OB16 on the third Expansion I/O slot, next to 2085-IF4.

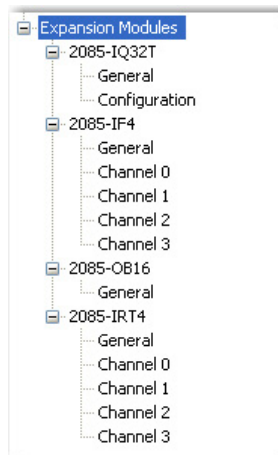
- From the Expansion Modules folder on the Device Toolbox pane, drag and drop 2085-IRT4 on the fourth Expansion I/O slot, next to 2085-IRT4.

**TIP** You can edit default configuration by following the procedure provided in the next section, [Edit Expansion I/O Configuration on page 38](#).

After you have added all four expansion I/O modules, your Connected Components Workbench project should look like this:



The Expansion Modules list should appear as shown below. To see device details for each of the expansion I/O you have just added, click General. To see default configuration properties, click Configuration, if available.



## Edit Expansion I/O Configuration

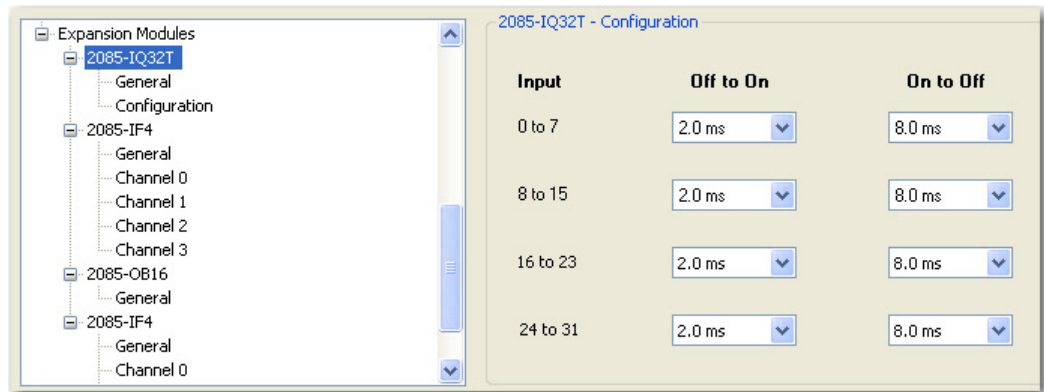
You can edit default I/O configuration through the Expansion Modules Details box located right below the controller graphic.

---

**IMPORTANT** To download configuration to your device, see [Build, Save, Download a Project with Expansion I/O Configuration on page 50](#).

---

1. Select the Expansion I/O device you want to configure.

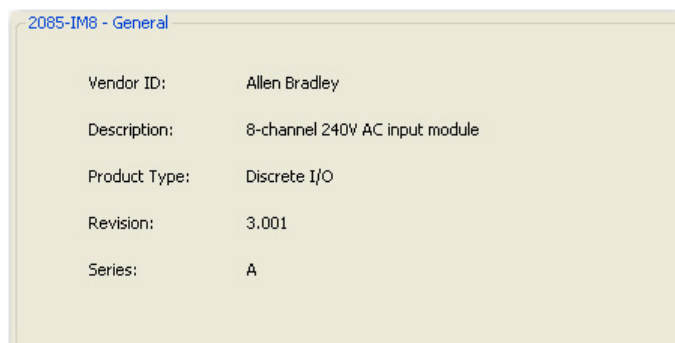
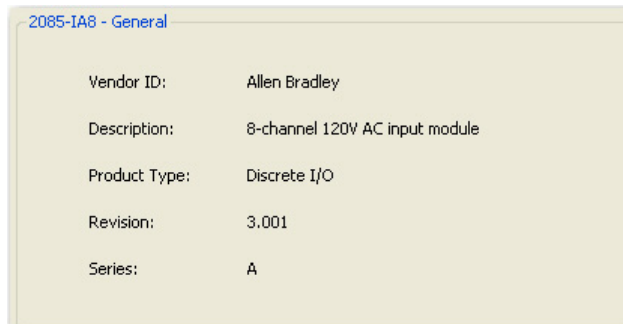


2. Click Configuration. Edit module and channel properties according to your requirements and application.

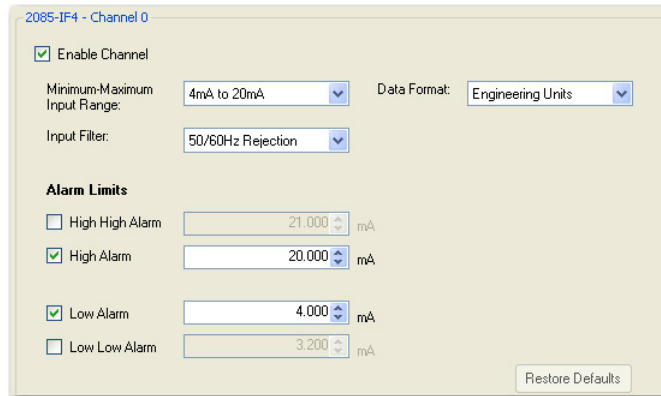
The next sections show you configuration properties for each of the expansion I/O module.

### *2085-IA8 and 2085-IM8*

These two AC input modules only have general device details available for the user in Connected Components Workbench software. No configuration properties are available.

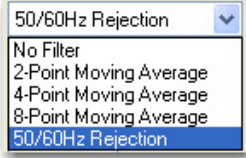


2085-IF4 and 2085-IF8



For the analog input modules, 2085-IF4 and 2085-IF8, you can configure properties such as input range, format, filter and alarm limits for each individual channel.

**Configuration Parameters for 2085-IF4 and 2085-IF8**

Configuration Property	What to do	Description
Enable Channel	Select or deselect the checkbox. The box is selected by default.	Enable or disable a channel through this checkbox. By default, each channel is enabled.
Minimum-Maximum Input Range	Choose from a range of values: <ul style="list-style-type: none"> <li>• 0...20 mA</li> <li>• 4...20 mA (default)</li> <li>• -10...10 V</li> <li>• 0...10 V</li> </ul>	Defines the input mode for the channel as either voltage or current, with current as default mode.
Data format	Select from the following options: <ul style="list-style-type: none"> <li>• Raw/Proportional Data</li> <li>• Engineering Units (default)</li> <li>• Percent Range</li> </ul>	See <a href="#">Analog Data Formats on page 8</a> for detailed information.
Input filter	Choose from the following values: 	See <a href="#">Input Filter on page 10</a> for detailed information.

**Configuration Parameters for 2085-IF4 and 2085-IF8**

Configuration Property	What to do	Description
High High Alarm	Check the checkbox to enable an alarm. By default, High High and Low Low Alarms are disabled and High and Low alarms are enabled.	Process level alarms alert you when the module has exceeded configured high, high high, low, and low low limits for each channel.
High Alarm		
Low Alarm		
Low Low Alarm		

*2085-IQ16 and 2085-IQ32T*

The screenshot shows the configuration window for the 2085-IQ32T module. It features a table with four rows representing input ranges: 0 to 7, 8 to 15, 16 to 23, and 24 to 31. Each row has two columns for response times: 'Off to On' and 'On to Off'. The 'Off to On' column has a dropdown menu with '2.0 ms' selected. The 'On to Off' column has a dropdown menu with '8.0 ms' selected.

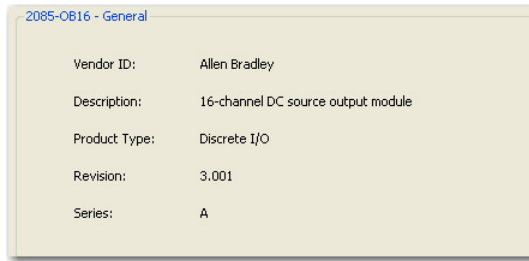
Input	Off to On	On to Off
0 to 7	2.0 ms	8.0 ms
8 to 15	2.0 ms	8.0 ms
16 to 23	2.0 ms	8.0 ms
24 to 31	2.0 ms	8.0 ms

For the 16- and 32-channel DC input modules, 2085-IQ16 and 2085-IQ32T respectively, you can configure OFF to ON and ON to OFF ranges.

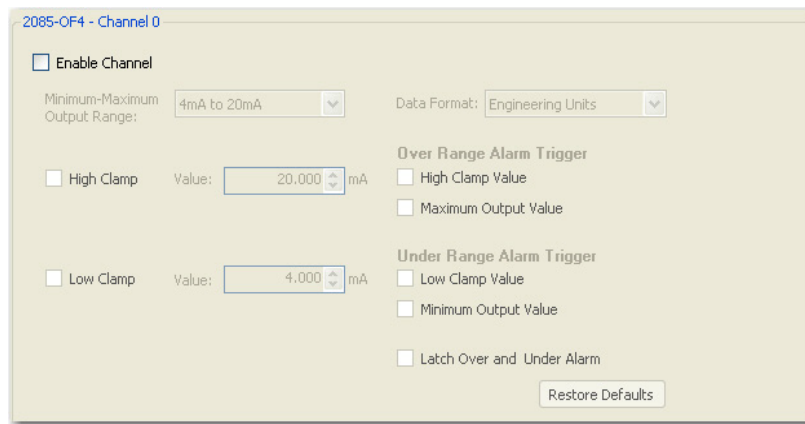
Configuration Property	What to do
Input	—
OFF to ON	Choose from the following values: 8.0 ms 4.0 ms 2.0 ms (default) 1.0 ms 0.5 ms 0.1 ms 0.0 ms
ON to OFF	Choose from the following values: 8.0 ms (default) 4.0 ms 2.0 ms 1.0 ms 0.5 ms 0.1 ms 0.0 ms

*2085-OV16, 2085-OB16, 2085-OW16, 2085-OA8, 2085-OW8*

The output modules, 2085-OV16, 2085-OB16, 2085-OW16, 2085-OA8, 2085-OW8, only have device details available to the user in Connected Components Workbench. There are no user configuration pages for these modules in the Connected Components Workbench software.



### 2085-OF4



For the analog output module, 2085-OF4, you can configure output unit, minimum to maximum output range, high clamp and low clamp values, and overrange and underrange values.



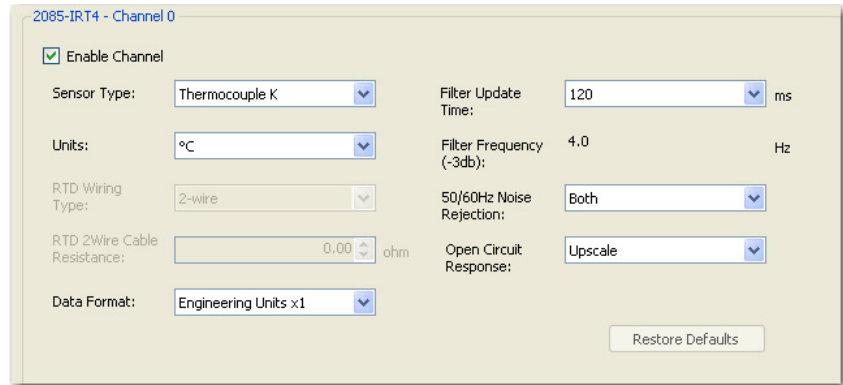
**Configuration Parameters for 2085-OF4**

<b>Configuration Property</b>	<b>What to do</b>	<b>Description</b>
Enable channel	Select or deselect the checkbox. Channel is not enabled by default.	Enable or disable a channel through this checkbox. By default, each channel is disabled.
Minimum-maximum output range	Choose from a range of values: <ul style="list-style-type: none"> <li>• 0...20 mA</li> <li>• 4...20 mA (default)</li> <li>• -10...10 V</li> <li>• 0...10 V</li> </ul>	For more information, see: <ul style="list-style-type: none"> <li>• <a href="#">Input/Output Types and Ranges on page 7</a></li> <li>• <a href="#">Valid Range of the Data Formats for 2085-IF4, 2085-IF8, and 2085-OF4 on page 8</a></li> </ul>
Data format	Select from the following options: <ul style="list-style-type: none"> <li>• Raw/Proportional Data</li> <li>• Engineering Units (default)</li> <li>• Percentage Data</li> </ul>	See <a href="#">Analog Data Formats on page 8</a> for detailed information.
High clamp value	Click the checkbox to enable and enter a high clamp value.	Sets an appropriate alarm that limits the output from the analog module to remain within a range configured by the controller, even when the controller commands an output outside that range. This safety feature sets a high clamp and a low clamp. Once clamps are determined for a module, any data received from the controller that exceeds those clamps sets an appropriate limit alarm and transitions the output to that limit but not beyond the requested value.
Low clamp value	Click the checkbox to enable and enter a low clamp value.	

**Configuration Parameters for 2085-OF4**

Configuration Property	What to do	Description
Ovrange alarm trigger	<p>If you enabled and entered a High Clamp value, you can check High Clamp Value as ovrange alarm trigger.</p> <div data-bbox="795 472 1047 588" style="border: 1px solid #ccc; padding: 5px;"> <p><b>Over Range Alarm Trigger</b></p> <p><input checked="" type="checkbox"/> High Clamp Value</p> <p><input type="checkbox"/> Maximum Output Value</p> </div> <p>If you did not enable and entered a High Clamp value, you can check Maximum Output Value as your ovrange alarm trigger.</p> <div data-bbox="795 745 1047 861" style="border: 1px solid #ccc; padding: 5px;"> <p><b>Over Range Alarm Trigger</b></p> <p><input type="checkbox"/> High Clamp Value</p> <p><input checked="" type="checkbox"/> Maximum Output Value</p> </div>	<p>The ovrange and underrange feature detects when the output module is operating beyond limits set by the output range. The trigger could be set based on clamp values or minimum/maximum output values.</p>
Underrange alarm trigger	<p>If you enabled and entered a Low Clamp value, you can check Low Clamp Value to set it as underrange alarm trigger.</p> <div data-bbox="795 997 1047 1113" style="border: 1px solid #ccc; padding: 5px;"> <p><b>Under Range Alarm Trigger</b></p> <p><input checked="" type="checkbox"/> Low Clamp Value</p> <p><input type="checkbox"/> Minimum Output Value</p> </div> <p>If you did not enable and entered a Low Clamp value, you can check Minimum Output Value as underrange alarm trigger.</p> <div data-bbox="795 1260 1047 1375" style="border: 1px solid #ccc; padding: 5px;"> <p><b>Under Range Alarm Trigger</b></p> <p><input type="checkbox"/> Low Clamp Value</p> <p><input checked="" type="checkbox"/> Minimum Output Value</p> </div>	
Latch over and under alarm	Click to latch.	Check the box to latch an alarm in the set position even if the condition that causes the alarm disappears.
Restore defaults	Click button to restore defaults.	Restores default device properties.

### 2085-IRT4



For the RTD and Thermocouple expansion I/O, 2085-IRT4, you can configure sensor type, data format, temperature units, and other properties, on each of the four individual channels.

#### Configuration Parameters for 2085-IRT4

Configuration Property	What to do	Description
Enable channel	Click the box to enable.	This parameter enables the particular channel for operation.
Sensor Type	Select from the following sensors: <ul style="list-style-type: none"> <li>• 100Ω Platinum 385</li> <li>• 200Ω Platinum 385</li> <li>• 100Ω Platinum 3916</li> <li>• 200Ω Platinum 3916</li> <li>• 100Ω Nickel 618</li> <li>• 200Ω Nickel 618</li> <li>• 120Ω Nickel 672</li> <li>• 100Ω Copper 427</li> <li>• 0...500 Ohm</li> <li>• 0...100 mV</li> <li>• Thermocouple B</li> <li>• Thermocouple C</li> <li>• Thermocouple E</li> <li>• Thermocouple J</li> <li>• Thermocouple K</li> <li>• Thermocouple TXK/XX (L)</li> <li>• Thermocouple N</li> <li>• Thermocouple R</li> <li>• Thermocouple S</li> <li>• Thermocouple T</li> </ul>	Defines the RTD or Thermocouple sensor type for the channel.

**Configuration Parameters for 2085-IRT4**

<b>Configuration Property</b>	<b>What to do</b>	<b>Description</b>
Units	Set as °C or °F	Sets the temperature unit to be used by the channel.
RTD Wiring Type	Set as any of the following: <ul style="list-style-type: none"> <li>• 2-wire</li> <li>• 3-wire</li> <li>• 4-wire</li> </ul>	The wiring type for channel x. This parameter is only available when the Sensor Type for the channel is RTD or (0 to 500 Ohm).
RTD 2Wire Cable Resistance	Replace value from 0.0 ohms...500.00 ohms to 0.0 ohms...655.35 ohms.	The specified cable resistance for the 2-wire cable. When the RTD 2Wire Cable Resistance value is smaller than the input value, it is subtracted from the input value during each read. When the value is greater than the input value, the under-range or open status bit is set (1). To configure the wire resistance, the Sensor Type must be RTD or (0...500 Ohm) and the RTD Wiring Type must be 2-wire. Otherwise, this parameter is not available.
Data Format	Choose from the following options: <ul style="list-style-type: none"> <li>• Raw/Proportional Data</li> <li>• Engineering Units*1</li> <li>• Engineering Units*10</li> <li>• Percent range</li> </ul>	For more information, see: <ul style="list-style-type: none"> <li>• <a href="#">Data format on page 14</a></li> <li>• <a href="#">Valid Range of the Data Formats for 2085-IRT4 on page 14</a></li> </ul>

**Configuration Parameters for 2085-IRT4**

<b>Configuration Property</b>	<b>What to do</b>	<b>Description</b>
Filter Update Time	Set as the following (in msec): <ul style="list-style-type: none"> <li>• 4</li> <li>• 8</li> <li>• 16</li> <li>• 32</li> <li>• 40</li> <li>• 48</li> <li>• 60</li> <li>• 101</li> <li>• 120</li> <li>• 160</li> <li>• 200</li> <li>• 240</li> <li>• 320</li> <li>• 480</li> </ul>	See <a href="#">Filter frequency on page 16</a> . NOTE: Filter update time 4 ms is not available for Thermocouple sensor types B, R, S, E, J, C, K, L, N, or T or 0...10 mV. Filter update time 8 ms is not available for Thermocouple sensor types B, R, S.
Filter Frequency (-3dB)	Set as the following (in Hz): <ul style="list-style-type: none"> <li>• 114</li> <li>• 60</li> <li>• 30</li> <li>• 14</li> <li>• 12</li> <li>• 9.4</li> <li>• 8.0</li> <li>• 4.7</li> <li>• 4.0</li> <li>• 3.0</li> <li>• 2.4</li> <li>• 2.0</li> <li>• 1.5</li> <li>• 1.0</li> </ul>	
50/60 Hz Noise Rejection	Set as: <ul style="list-style-type: none"> <li>• Both (default)</li> <li>• 50 Only</li> <li>• 60 Only</li> <li>• Neither</li> </ul>	See <a href="#">Noise Rejection on page 10</a> .

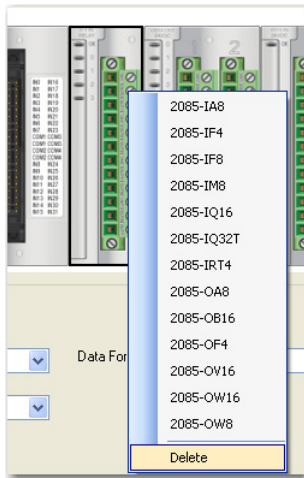
### Configuration Parameters for 2085-IRT4

Configuration Property	What to do	Description
Open Circuit Response	Choose from the following options: <ul style="list-style-type: none"> <li>• Upscale</li> <li>• Downscale</li> <li>• Hold Last State</li> <li>• Zero</li> </ul>	Defines the response to be taken during an open circuit, whether to upscale, downscale, hold last state, or zero. <p><b>Upscale</b> – Sets input to full upper scale value of channel data word. The full-scale value is determined by the selected input type, data format, and scaling.</p> <p><b>Downscale</b> – Sets input to full lower scale value of channel data word. The low scale value is determined by the selected input type, data format, and scaling.</p> <p><b>Hold Last State</b> – Sets input to last input value.</p> <p><b>Zero</b> – Sets input to 0 to force the channel data word to 0.</p>

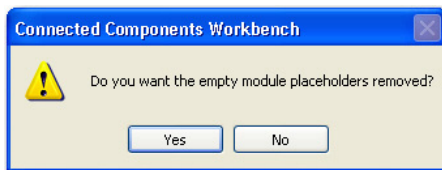
### Delete and Replace an Expansion I/O Configuration

Using our example project, let us try to delete 2085-IF4 in slot 2 and 2085-OB16 in slot 3. Then, let us replace the modules with 2085-OW16 and another 2085-IQ32T module in slots 2 and 3, respectively. To do this:

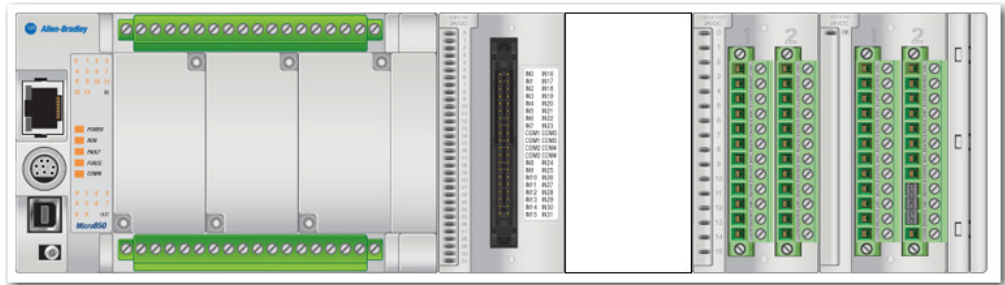
1. On the project graphic in the center pane, right-click 2085-IF4 and click Delete.



2. Another message box appears asking you if you want to empty the placeholders to the left to fill the empty slot. Click No.

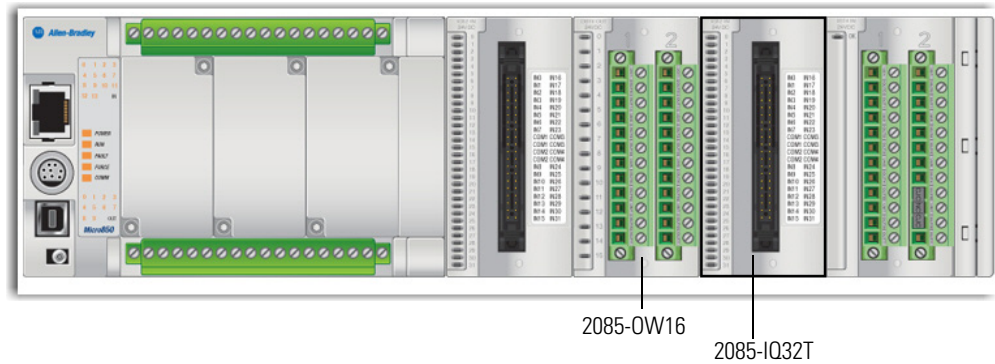
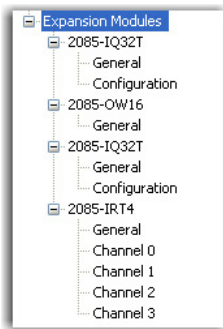


After deleting 2085-IF4 from slot 2, the project graphic should look like this:

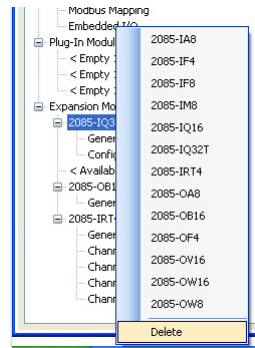


3. On the empty slot (slot 2), right-click and select 2085-OW16.
4. Next, replace 2085-OB16 in slot 3 with a 2085-IQ32T device. Right-click 2085-OB16 in slot 3, and choose 2085-IQ32T.

The project graphic and Expansion Modules list should look like these after the modules are replaced:



**TIP** You can also delete and replace an expansion I/O through the Expansion Modules list. To replace, right-click the expansion I/O module you would like to replace, then select the Expansion I/O module you would like to replace it with, from the list that appears. To delete the Expansion I/O, choose Delete.



## **Build, Save, Download a Project with Expansion I/O Configuration**

To learn how to build, save, and download the project to your controller, see the Connected Components Workbench Online Help.

### **Summary**

This chapter provided instructions on how to add, edit, configure, delete, and replace expansion I/O module configuration through the Connected Components Workbench software.



## Specifications

The following tables provide specifications for digital and analog expansion I/O modules.

### Discrete Expansion I/O

#### 2085-IQ16 and 2085-IQ32T DC Sink/Source Input Modules<sup>(1)</sup>

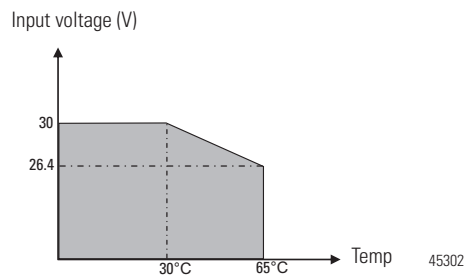
Attribute	2085-IQ16	2085-IQ32T												
Number of inputs	16 sink/source	32 sink/source												
Dimensions, HxWxD	44.5 x 90 x 87 mm (1.75 x 3.54 x 3.42 in.)													
Shipping weight, approx.	220 g (7.76 oz)													
Bus current draw, max	170 mA @ 5V DC	190 mA @ 5V DC												
Wire size	<table border="1"> <thead> <tr> <th></th> <th>Min</th> <th>Max</th> <th></th> </tr> </thead> <tbody> <tr> <td>Solid</td> <td>0.34 mm<sup>2</sup> (22 AWG)</td> <td>2.5 mm<sup>2</sup> (14 AWG)</td> <td rowspan="2">Copper wire rated @ 90 °C (194 °F), or greater, 1.2 mm (3/64 in.) insulation max</td> </tr> <tr> <td>Stranded</td> <td>0.20 mm<sup>2</sup></td> <td>2.5 mm<sup>2</sup> (14 AWG)</td> </tr> </tbody> </table>				Min	Max		Solid	0.34 mm <sup>2</sup> (22 AWG)	2.5 mm <sup>2</sup> (14 AWG)	Copper wire rated @ 90 °C (194 °F), or greater, 1.2 mm (3/64 in.) insulation max	Stranded	0.20 mm <sup>2</sup>	2.5 mm <sup>2</sup> (14 AWG)
	Min	Max												
Solid	0.34 mm <sup>2</sup> (22 AWG)	2.5 mm <sup>2</sup> (14 AWG)	Copper wire rated @ 90 °C (194 °F), or greater, 1.2 mm (3/64 in.) insulation max											
Stranded	0.20 mm <sup>2</sup>	2.5 mm <sup>2</sup> (14 AWG)												
Wiring category <sup>(2)</sup>	2 – on signal ports													
Terminal screw torque, max	0.5...0.6 Nm (4.4...5.3 lb-in.) <sup>(3)</sup>													
Input circuit type	24V AC/DC sink/source or 24V AC 50/60 Hz													
Power dissipation, total	4.5 W	7 W												
Power supply	24V DC													
Status indicators	16 yellow indicators	32 yellow indicators												
Isolation voltage	50V (continuous), Reinforced Insulation Type, channel to system Type tested @ 720V DC for 60 s													
Enclosure type rating	Meets IP20													
North American temp code	T4													
Operating voltage range	10...30V DC, Class 2 21.6...26.4V AC, 50/60 Hz, Class 2 See <a href="#">Derating Curve for 2085-IQ16</a> and <a href="#">Derating Curve for 2085-IQ32T on page 52</a>													
Off-state voltage, max	5V DC													
Off-state current, max	1.5 mA	1.2 mA												
On-state current, min	1.8 mA @ 10V DC													
On-state current, nom	6.0 mA @ 24V DC	5.2 mA @ 24V DC												

**2085-IQ16 and 2085-IQ32T DC Sink/Source Input Modules<sup>(1)</sup>**

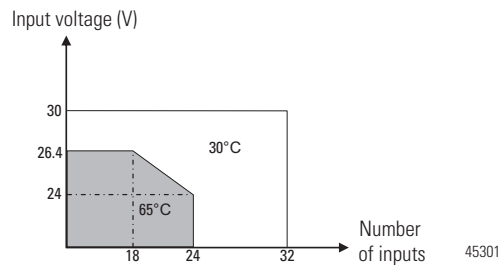
Attribute	2085-IQ16	2085-IQ32T
On-state current, max	8.0 mA @ 30V DC	7.0 mA @ 30V DC
Input impedance, max	3.9 kΩ	4.6 kΩ
IEC input compatibility	Type 3	Type 1

- (1) Meets IEC Type 1 24V DC Input Specifications.
- (2) Use this Conductor Category information for planning conductor routing. Refer to Industrial Automation Wiring and Grounding Guidelines, publication [1770-4.1](#).
- (3) RTB hold down screws should be tightened by hand. They should not be tightened using a power tool.

**Derating Curve for 2085-IQ16**



**Derating Curve for 2085-IQ32T**



**2085-OV16 Sink and 2085-OB16 Source DC Output Module**

Attribute	2085-OV16	2085-OB16
Number of outputs	16 sinking	16 sourcing
Dimensions, HxWxD	44.5 x 90 x 87 mm (1.75 x 3.54 x 3.42 in.)	
Shipping weight, approx.	220 g (7.76 oz)	
Bus current draw, max	200 mA @ 5V DC	

**2085-OV16 Sink and 2085-OB16 Source DC Output Module**

<b>Attribute</b>	<b>2085-OV16</b>		<b>2085-OB16</b>	
Wire size		<b>Min</b>	<b>Max</b>	
	Solid	0.34 mm <sup>2</sup> (22 AWG)	2.5 mm <sup>2</sup> (14 AWG)	Copper wire rated @ 90 °C (194 °F), or greater, 1.2 mm (3/64 in.) insulation max
	Stranded	0.20 mm <sup>2</sup>	2.5 mm <sup>2</sup> (14 AWG)	
Wiring category <sup>(1)</sup>	2 – on signal ports			
Terminal screw torque, max	0.5...0.6 Nm (4.4...5.3 lb-in.) <sup>(2)</sup>			
Output circuit type	24V DC sink		24V DC source	
Power dissipation, total	5 W			
Power supply	24V DC, Class 2			
Status indicators	16 Yellow channel indicators			
Isolation voltage	50V (continuous), Reinforced Insulation Type, channel to system Type tested @ 720V AC for 60 s			
Enclosure type rating	Meets IP20			
North American temp code	T4			

(1) Use this Conductor Category information for planning conductor routing. Refer to Industrial Automation Wiring and Grounding Guidelines, publication [1770-4.1](#).

(2) RTB hold down screws should be tightened by hand. They should not be tightened using a power tool.

**Output Specifications – 2085-OV16 and 2085-OB16**

<b>Attribute</b>	<b>2085-OV16</b>	<b>2085-OB16</b>
Operating voltage range	10...30V DC	
On-state voltage, min	10V DC	
On-state voltage, nom	24V DC	
On-state voltage, max	30V DC	
On-state current, max	0.5 A @ 30V DC, per output 8 A, per module	
On-state voltage drop, max	1.0V DC @ 0.5 A	
Off-state leakage current, max	1 mA @ 30V DC	
Turn on time, max	0.1 ms	
Turn off time, max	1 ms	

**2085-IA8, 2085-IM8, 2085-OA8 AC Input/Output Modules**

Attribute	2085-IA8	2085-IM8	2085-OA8											
Number of I/O	8													
Dimensions, HxWxD	28 x 90 x 87 mm (1.10 x 3.54 x 3.42 in.)													
Shipping weight, approx.	140 g (4.93 oz)													
Bus current draw, max	5V DC, 150 mA		5V DC, 180 mA											
Wire size	<table border="1"> <thead> <tr> <th></th> <th>Min</th> <th>Max</th> <th></th> </tr> </thead> <tbody> <tr> <td>Solid</td> <td>0.34 mm<sup>2</sup> (22 AWG)</td> <td>2.5 mm<sup>2</sup> (14 AWG)</td> <td rowspan="2">Copper wire rated @ 90 °C (194 °F), or greater, 1.2 mm (3/64 in.) insulation max</td> </tr> <tr> <td>Stranded</td> <td>0.20 mm<sup>2</sup></td> <td>2.5 mm<sup>2</sup> (14 AWG)</td> </tr> </tbody> </table>				Min	Max		Solid	0.34 mm <sup>2</sup> (22 AWG)	2.5 mm <sup>2</sup> (14 AWG)	Copper wire rated @ 90 °C (194 °F), or greater, 1.2 mm (3/64 in.) insulation max	Stranded	0.20 mm <sup>2</sup>	2.5 mm <sup>2</sup> (14 AWG)
	Min	Max												
Solid	0.34 mm <sup>2</sup> (22 AWG)	2.5 mm <sup>2</sup> (14 AWG)	Copper wire rated @ 90 °C (194 °F), or greater, 1.2 mm (3/64 in.) insulation max											
Stranded	0.20 mm <sup>2</sup>	2.5 mm <sup>2</sup> (14 AWG)												
Insulation stripping length	10 mm (0.39 in.)													
Wiring category <sup>(1)</sup>	2 – on signal ports													
Wire type	Copper													
Terminal screw torque, max	0.5...0.6 Nm (4.4...5.3 lb-in.) <sup>(2)</sup>													
Input/output circuit type	120V AC input	240V AC input	120V/240V AC output											
Power supply	120V AC, 50/60 Hz	240V AC, 50/60 Hz	120V/240V AC, 50/60 Hz											
Power dissipation, total	2.36 W	2.34 W	5.19 W											
Enclosure type rating	Meets IP20													
Status indicators	8 yellow indicators													
Isolation voltage	150V (continuous), Reinforced Insulation Type, channel to system Type tested @ 1950V DC for 60 s	240V (continuous), Reinforced Insulation Type, channel to system Type tested @ 3250V DC for 60 s												
North American temp code	T4													

(1) Use this Conductor Category information for planning conductor routing. Refer to Industrial Automation Wiring and Grounding Guidelines, publication [1770-4.1](#).

(2) RTB hold down screws should be tightened by hand. They should not be tightened using a power tool.

**Input Specifications – 2005-IA8 and 2085-IM8**

<b>Attribute</b>	<b>2085-IA8</b>	<b>2085-IM8</b>
Number of Inputs	8	
Voltage category	120V AC	240V AC
Operating voltage range	74...120V AC, 50/60 Hz	159...240V AC, 50/60 Hz
Off-state voltage, max	20V AC	40V AC
Off-state current, max	2.5 mA	
On-state current, min	5.0 mA @ 74V AC	4.0 mA @ 159V AC
On-state current, max	12.5 mA @ 120V AC	7.0 mA @ 240V AC
Input impedance, max	22.2 k $\Omega$	
Inrush current, max	450 mA	
Input filter time Off to On On to Off	$\leq$ 20 ms	
IEC type compliance	Type 3	

**Output Specifications – 2085-OA8**

<b>Attribute</b>	<b>2085-OA8</b>
Number of inputs	8
Voltage category	120V/230V AC
Operating voltage range	120...240V AC, 50/60 Hz
Output voltage, min	85V AC
Output voltage, max	240V AC
Off-state leakage current, max	2.5 mA
On-state current, min	10 mA per output
On-state current, max	0.5 A per output
On-state current, per module, max	4 A
Off-state voltage drop, max	1.5V AC @ 0.5 A 2.5V AC @10 mA
Fusing	Not protected. A suitable rating fuse is recommended to protect outputs.
Output signal delay Off to On On to Off	9.3 ms for 60 Hz, 11 ms for 50 Hz 9.3 ms for 60 Hz, 11 ms for 50 Hz
Surge current, max	5 A

**2085-OW8 and 2085-OW16 Relay Output Module**

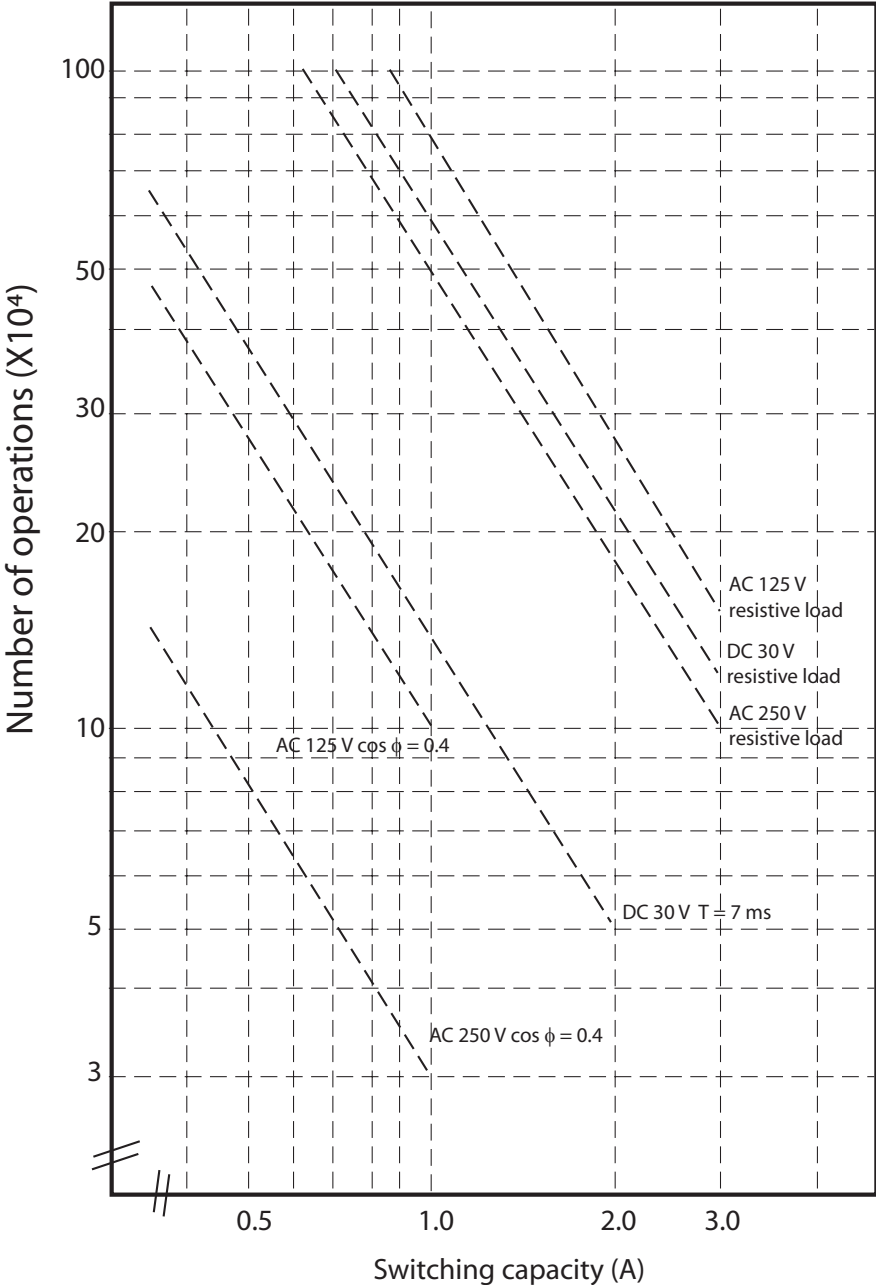
Attribute	2085-OW8	2085-OW16																																	
Number of outputs	8, relay	16, relay																																	
Dimensions, HxWxD	28 x 90 x 87 mm (1.10 x 3.54 x 3.42 in.)	44.5 x 90 x 87 mm (1.75 x 3.54 x 3.42 in.)																																	
Shipping weight, approx.	140 g (4.93 oz)	220 g (7.76 oz)																																	
Wire size	<table border="1"> <thead> <tr> <th></th> <th>Min</th> <th>Max</th> <th></th> </tr> </thead> <tbody> <tr> <td>Solid</td> <td>0.34 mm<sup>2</sup> (22 AWG)</td> <td>2.5 mm<sup>2</sup> (14 AWG)</td> <td rowspan="2">Copper wire rated @ 90 °C (194 °F), or greater, 1.2 mm (3/64 in.) insulation max</td> </tr> <tr> <td>Stranded</td> <td>0.20 mm<sup>2</sup></td> <td>2.5 mm<sup>2</sup> (14 AWG)</td> </tr> </tbody> </table>				Min	Max		Solid	0.34 mm <sup>2</sup> (22 AWG)	2.5 mm <sup>2</sup> (14 AWG)	Copper wire rated @ 90 °C (194 °F), or greater, 1.2 mm (3/64 in.) insulation max	Stranded	0.20 mm <sup>2</sup>	2.5 mm <sup>2</sup> (14 AWG)																					
	Min	Max																																	
Solid	0.34 mm <sup>2</sup> (22 AWG)	2.5 mm <sup>2</sup> (14 AWG)	Copper wire rated @ 90 °C (194 °F), or greater, 1.2 mm (3/64 in.) insulation max																																
Stranded	0.20 mm <sup>2</sup>	2.5 mm <sup>2</sup> (14 AWG)																																	
Insulation strip length	10 mm (0.39 in.)																																		
Wiring category <sup>(1)</sup>	2 – on signal ports																																		
Wire type	Copper																																		
Terminal screw torque, max	0.5...0.6 Nm (4.4...5.3 lb-in.) <sup>(2)</sup>																																		
Bus current draw, max	5V DC, 120 mA 24V DC, 50 mA	5V DC, 160 mA 24V DC, 100 mA																																	
Load current, max	2 A																																		
Turn on/off time, max	10 ms																																		
Power dissipation, total	2.72 W	5.14 W																																	
Relay contact, (0.35 power factor)	<table border="1"> <thead> <tr> <th rowspan="2">Max Volts</th> <th colspan="2">Amperes</th> <th>Amperes</th> <th colspan="2">Volt Amperes</th> </tr> <tr> <th>Make</th> <th>Break</th> <th>Continuous</th> <th>Make</th> <th>Break</th> </tr> </thead> <tbody> <tr> <td>120V AC</td> <td>15 A</td> <td>1.5 A</td> <td>2.0 A</td> <td rowspan="2">1800V A</td> <td rowspan="2">180V A</td> </tr> <tr> <td>240V AC</td> <td>7.5 A</td> <td>0.75 A</td> <td></td> </tr> <tr> <td>24V DC</td> <td colspan="2">1.0 A</td> <td rowspan="2">1.0 A</td> <td colspan="2" rowspan="2">28V A</td> </tr> <tr> <td>125V DC</td> <td colspan="2">0.22 A</td> </tr> </tbody> </table>					Max Volts	Amperes		Amperes	Volt Amperes		Make	Break	Continuous	Make	Break	120V AC	15 A	1.5 A	2.0 A	1800V A	180V A	240V AC	7.5 A	0.75 A		24V DC	1.0 A		1.0 A	28V A		125V DC	0.22 A	
Max Volts	Amperes		Amperes	Volt Amperes																															
	Make	Break	Continuous	Make	Break																														
120V AC	15 A	1.5 A	2.0 A	1800V A	180V A																														
240V AC	7.5 A	0.75 A																																	
24V DC	1.0 A		1.0 A	28V A																															
125V DC	0.22 A																																		
Minimum load, per point	10 mA per point																																		
Off-state leakage, max	1.5 mA																																		
Status indicators	8 yellow indicators			16 yellow indicators																															
Isolation voltage	240V (continuous), Reinforced Insulation Type, channel to system Type tested @ 3250V DC for 60 s																																		
Pilot duty rating	C300, R150																																		
Enclosure type rating	Meets IP20																																		
North American temp code	T4																																		

(1) Use this Conductor Category information for planning conductor routing. Refer to Industrial Automation Wiring and Grounding Guidelines, publication [1770-4.1](#).

(2) RTB hold down screws should be tightened by hand. They should not be tightened using a power tool.

**Relay Life Chart for 2085-OW8 and 2085-OW16**

**Relay life**



## Analog Expansion I/O

### 2085-IF4, 2085-IF8, 2085-OF4 Analog Input and Output Modules

Attribute	2085-IF4	2085-OF4	2085-IF8											
Number of I/O	4		8											
Dimensions, HxWxD	28 x 90 x 87 mm (1.1 x 3.54 x 3.42 in.)		44.5 x 90 x 87 mm (1.75 x 3.54 x 3.42 in.)											
Shipping weight, approx.	140 g (4.93 oz)		220 g (7.76 oz)											
Bus current draw, max	5V DC, 100 mA 24V DC, 50 mA	5V DC, 160 mA 24V DC, 120 mA	5V DC, 110 mA 24V DC, 50 mA											
Wire size	<table border="1"> <thead> <tr> <th></th> <th>Min</th> <th>Max</th> <th></th> </tr> </thead> <tbody> <tr> <td>Solid</td> <td>0.34 mm<sup>2</sup> (22 AWG)</td> <td>2.5 mm<sup>2</sup> (14 AWG)</td> <td rowspan="2">Copper wire rated @ 90 °C (194 °F), or greater, 1.2 mm (3/64 in.) insulation max</td> </tr> <tr> <td>Stranded</td> <td>0.20 mm<sup>2</sup></td> <td>2.5 mm<sup>2</sup> (14 AWG)</td> </tr> </tbody> </table>				Min	Max		Solid	0.34 mm <sup>2</sup> (22 AWG)	2.5 mm <sup>2</sup> (14 AWG)	Copper wire rated @ 90 °C (194 °F), or greater, 1.2 mm (3/64 in.) insulation max	Stranded	0.20 mm <sup>2</sup>	2.5 mm <sup>2</sup> (14 AWG)
	Min	Max												
Solid	0.34 mm <sup>2</sup> (22 AWG)	2.5 mm <sup>2</sup> (14 AWG)	Copper wire rated @ 90 °C (194 °F), or greater, 1.2 mm (3/64 in.) insulation max											
Stranded	0.20 mm <sup>2</sup>	2.5 mm <sup>2</sup> (14 AWG)												
Wiring category <sup>(1)</sup>	2 – on signal ports													
Wire type	Shielded													
Terminal screw torque	0.5...0.6 Nm (4.4...5.3 lb-in.) <sup>(2)</sup>													
Power dissipation, total	1.7 W	3.7 W	1.75 W											
Enclosure type rating	Meets IP20													
Status indicators	1 green health indicator	1 green health indicator	1 green health indicator 8 red error indicators											
Isolation voltage	50V (continuous), Reinforced Insulation Type, channel to system and channel to channel. Type tested @ 720V DC for 60 s													
North American temp code	T4													

(1) Use this Conductor Category information for planning conductor routing. Refer to Industrial Automation Wiring and Grounding Guidelines, publication [1770-4.1](#).

(2) RTB hold down screws should be tightened by hand. They should not be tightened using a power tool.

### Input Specifications – 2085-IF4 and 2085-IF8

Attribute	2085-IF4	2085-IF8
Number of inputs	4	8
Resolution Voltage Current	14 bits (13 bits plus sign bit) 1.28 mV/cnt unipolar; 1.28 mV/cnt bipolar 1.28 µA/cnt	
Data format	Left justified, 16 bit 2s complement See <a href="#">Analog Data Formats on page 8</a> .	
Conversion type	SAR	
Update rate	< 2 ms per enabled channel without 50 Hz/60 Hz rejection, < 8 ms for all channel, 8 ms with 50 Hz/60 Hz rejection	



**Input Specifications – 2085-IF4 and 2085-IF8**

<b>Attribute</b>	<b>2085-IF4</b>	<b>2085-IF8</b>
Step response time up to 63% 2-point Moving Average Filter 4-point Moving Average Filter 8-point Moving Average Filter 50/60 Hz Rejection Filter	4...16 ms (for 1...8 enabled channels) 6...24 ms (for 1...8 enabled channels) 12...60 ms (for 1...8 enabled channels) 600 ms (for 1...8 enabled channels)	
Input current terminal, user configurable	4...20 mA (default) 0...20 mA	
Input voltage terminal, user configurable	±10V 0...10V	
Input impedance	Voltage terminal >1 MΩ Current terminal <100 Ω	
Absolute accuracy	±0.10% Full Scale @ 25 ° C	
Accuracy drift with temp	Voltage terminal – 0.00428% Full Scale/° C Current terminal – 0.00407% Full Scale/° C	
Calibration required	Factory calibrated. No customer calibration supported.	
Overload, max.	30V continuous or 32 mA continuous, one channel at a time.	
Channel diagnostics	Over and under range or open circuit condition by bit reporting	

**Output Specifications – 2085-OF4**

<b>Attribute</b>	<b>2085-OF4</b>
Number of outputs	4
Resolution Voltage Current	12 bits unipolar; 11 bits plus sign bipolar 2.56 mV/cnt unipolar; 5.13 mV/cnt bipolar 5.13 μA/cnt
Data format	Left justified, 16 bit 2s complement See <a href="#">Analog Data Formats on page 8</a> .
Step response time up to 63%	2 ms
Conversion rate, max	2 ms per channel
Output current terminal, user configurable	0 mA output until module is configured 4...20 mA (default) 0...20 mA
Output voltage terminal, user configurable	±10V 0...10V
Current load on voltage output, max	3 mA

### Output Specifications – 2085-OF4

Attribute	2085-OF4
Absolute accuracy Voltage terminal Current terminal	0.133% Full Scale @ 25 °C or better 0.425% Full Scale @ 25 °C or better
Accuracy drift with temp	Voltage terminal – 0.0045% Full Scale/°C Current terminal – 0.0069% Full Scale/°C
Resistive load on mA output	15...500 ohm @ 24V DC

## Specialty Expansion I/O

### 2085-IRT4 Temperature Input Module

Attribute	2085-IRT4											
Number of inputs	4											
Dimensions, HxWxD	44.5 x 90 x 87 mm (1.75 x 3.54 x 3.42 in.)											
Shipping weight, approx.	220 g (7.76 oz)											
Bus current draw, max	5V DC, 160 mA 24V DC, 50 mA											
Wire size	<table border="1"> <thead> <tr> <th></th> <th>Min</th> <th>Max</th> <th></th> </tr> </thead> <tbody> <tr> <td>Solid</td> <td>0.34 mm<sup>2</sup> (22 AWG)</td> <td>2.5 mm<sup>2</sup> (14 AWG)</td> <td rowspan="2">Copper wire rated @ 90 °C (194 °F), or greater, 1.2 mm (3/64 in.) insulation max</td> </tr> <tr> <td>Stranded</td> <td>0.20 mm<sup>2</sup></td> <td>2.5 mm<sup>2</sup> (14 AWG)</td> </tr> </tbody> </table>		Min	Max		Solid	0.34 mm <sup>2</sup> (22 AWG)	2.5 mm <sup>2</sup> (14 AWG)	Copper wire rated @ 90 °C (194 °F), or greater, 1.2 mm (3/64 in.) insulation max	Stranded	0.20 mm <sup>2</sup>	2.5 mm <sup>2</sup> (14 AWG)
	Min	Max										
Solid	0.34 mm <sup>2</sup> (22 AWG)	2.5 mm <sup>2</sup> (14 AWG)	Copper wire rated @ 90 °C (194 °F), or greater, 1.2 mm (3/64 in.) insulation max									
Stranded	0.20 mm <sup>2</sup>	2.5 mm <sup>2</sup> (14 AWG)										
Wiring category <sup>(1)</sup>	2 – on signal ports											
Terminal screw torque	0.5...0.6 Nm (4.4...5.3 lb-in.) <sup>(2)</sup>											
Input type	Thermocouple type: B, C, E, J, K, TXK/XK (L), N, R, S, T RTD type: 100 Ω Pt α = 0.00385 Euro 200 Ω Pt α = 0.00385 Euro 100 Ω Pt α = 0.003916 U.S. 200 Ω Pt α = 0.003916 U.S. 100 Ω Nickel 618 200 Ω Nickel 618 120 Ω Nickel 672 10 Ω Copper 427 mV range: 0...100 mV Ohm input: 0...500 Ω											
Resolution	16 bits											
Channel update time, typical	12...500 ms per enabled channel											
Input impedance	> 10 M Ω											
Accuracy	±0.5...±3.0 °C accuracy for Thermocouple inputs ±0.2...±0.6 °C accuracy for RTD inputs											
Power dissipation, total	2 W											
Enclosure type rating	Meets IP20											

**2085-IRT4 Temperature Input Module**

Attribute	2085-IRT4
Status indicators	1 green health indicator
Isolation voltage	50V (continuous), Reinforced Insulation Type, channel to system. Type tested @ 720V DC for 60 s
North American temp code	T4

- (1) Use this Conductor Category information for planning conductor routing. Refer to Industrial Automation Wiring and Grounding Guidelines, publication [1770-4.1](#).
- (2) RTB hold down screws should be tightened by hand. They should not be tightened using a power tool.

**Environment Specifications for Micro800 Expansion I/O Modules**

Attribute	Value
Temperature, operating	IEC60068-2-1 (Test Ad, Operating Cold), IEC60068-2-2, (Test Bd, Operating Dry Heat), IEC 60068-2-14 (Test Nb, Operating Thermal Shock): -20...65 °C (-4...149 °F)
Temperature, nonoperating	IEC 60068-2-1 (Test Ab, Unpackaged Nonoperating Cold), IEC 60068-2-2 (Test Bb, Unpackaged Nonoperating Dry Heat), IEC 60068-2-14 (Test Na, Unpackaged Nonoperating Thermal Shock): -40...85 °C (-40...185 °F)
Temperature, surrounding air, max.	65 °C (149 °F)
Relative humidity	IEC 60068-2-30 (Test Db, Unpackaged Damp Heat): 5...95% noncondensing
Vibration	IEC 60068-2-6 (Test Fc, Operating): 2 g @ 10...500 Hz
Shock, operating	IEC 60068-2-27 (Test Ea, Unpackaged Shock): 25 g
Shock, nonoperating	IEC 60068-2-27 (Test Ea, Unpackaged Shock): 25 g for DIN Rail Mounting 35 g for Panel Mounting
Emissions	CISPR 11: Group 1, Class A
ESD Immunity	IEC 61000-4-2: 6 kV contact discharges 8 kV air discharges
Radiated RF Immunity	IEC 61000-4-3: 10V/m with 1 kHz sine-wave 80% AM from 80...2000 MHz 10V/m with 200 Hz 50% Pulse 100% AM @ 900 MHz 10V/m with 200 Hz 50% Pulse 100% AM @ 1890 MHz 10V/m with 1 kHz sine-wave 80% AM from 2000...2700 MHz
EFT/B Immunity	IEC 61000-4-4: ±2 kV @ 5 kHz on signal ports
Surge Transient Immunity	IEC 61000-4-5: ±1 kV line-line(DM) and ±2 kV line-earth(CM) on power ports ±2 kV line-earth(CM) on shielded ports
Conducted RF Immunity	IEC 61000-4-6: 10V rms with 1 kHz sine-wave 80% AM from 150 kHz...80 MHz

**Certifications – All Micro800 Expansion I/O Modules**

<b>Certification (when product is marked)<sup>(1)</sup></b>	<b>Value</b>
c-UL-us	UL Listed Industrial Control Equipment, certified for US and Canada. See UL File E322657.  UL Listed for Class I, Division 2 Group A,B,C,D Hazardous Locations, certified for U.S. and Canada. See UL File E334470
CE	European Union 2014/30/EU EMC Directive, compliant with: EN 61326-1; Meas./Control/Lab., Industrial Requirements EN 61000-6-2; Industrial Immunity EN 61000-6-4; Industrial Emissions EN 61131-2; Programmable Controllers (Clause 8, Zone A & B)  European Union 2014/35/EU LVD Directive, compliant with: EN 61131-2; Programmable Controllers (Clause 11)  European Union 2011/65/EU RoHS, compliant with: EN 50581; Technical Documentation
RCM	Australian Radiocommunications Act, compliant with: AS/NZS CISPR 11; Industrial Emissions
KC	Korean Registration of Broadcasting and Communications Equipment, compliant with: Article 58-2 of Radio Waves Act, Clause 3
EAC	Russian Customs Union TR CU 020/2011 EMC Technical Regulation Russian Customs Union TR CU 004/2011 LV Technical Regulation

(1) See the Product Certification link at <http://www.rockwellautomation.com/products/certification/> for Declaration of Conformity, Certificates, and other certification details.

## Expansion I/O Power Supply

**2085-EP24VDC Expansion I/O Power Supply**

<b>Attribute</b>	<b>2085-EP24VDC</b>
I/O module capacity	4 modules, each module power limited to 4.2 W
Input voltage, nominal	24V DC
Input voltage rating	21.4...26.4V DC Class 2 or Limited Voltage Limited Current Source (LVLC)
Power consumption, max	24 W
Inrush current, max	6 A for 10 ms
Bus side power rating, max	24V DC (±10%) @ 700 mA 5V DC (±5%) @ 900 mA Maximum bus power limited to 16.8 W
Indicators	1 green – 5V system power
Input overvoltage protection	Reverse polarity protected
Interruption	Output voltage stays within specifications when inputs drops out for 10 ms @ 24V with max load. More than 10 ms interruption can cause the Micro870 controller to fault.

**2085-EP24VDC Expansion I/O Power Supply**

<b>Attribute</b>	<b>2085-EP24VDC</b>
Module location	Between 2085 I/O modules
Limitations	No isolation provided between input power to 2085 bus power
Dimensions (HxWxD), approx	110.0 x 36.2 x 87.0 mm (4.3 x 1.4 x 3.4 in)
Weight, approx	0.09 kg (0.02 lb)
Removable Terminal Block (RTB) screw torque <sup>(1)</sup>	0.5...0.6 Nm (3.5...4.4 lb-in)
Wire size	0.25... 2.5 mm <sup>2</sup> (22...14 AWG) solid or stranded copper wire rated at 75 °C (167 °F), or greater, 1.2 mm (3/64 in.) insulation max
Wiring category <sup>(2)</sup>	2 – on power ports
Enclosure type rating	None (open-style)
North American temp code	T4

(1) RTB hold down screws should be tightened by hand. They should not be tightened using a power tool.

(2) Use this Conductor Category information for planning conductor routing. Refer to Industrial Automation Wiring and Grounding Guidelines, publication [1770-4.1](#).

**Environment Specifications**

<b>Attribute</b>	<b>Value</b>
Temperature, operating	IEC60068-2-1 (Test Ad, Operating Cold), IEC60068-2-2, (Test Bd, Operating Dry Heat), IEC 60068-2-14 (Test Nb, Operating Thermal Shock): -20...65 °C (-4...149 °F)
Temperature, nonoperating	IEC 60068-2-1 (Test Ab, Unpackaged Nonoperating Cold), IEC 60068-2-2 (Test Bb, Unpackaged Nonoperating Dry Heat), IEC 60068-2-14 (Test Na, Unpackaged Nonoperating Thermal Shock): -40...85 °C (-40...185 °F)
Temperature, surrounding air, max.	65 °C (149 °F)
Relative humidity	IEC 60068-2-30 (Test Db, Unpackaged Damp Heat): 5...95% noncondensing
Vibration	IEC 60068-2-6 (Test Fc, Operating): 2 g @ 10...500 Hz
Shock, operating	IEC 60068-2-27 (Test Ea, Unpackaged Shock): 25 g
Shock, nonoperating	IEC 60068-2-27 (Test Ea, Unpackaged Shock): 25 g for DIN Rail Mounting 35 g for Panel Mounting
Emissions	IEC 61000-6-4
ESD Immunity	IEC 61000-4-2: 6 kV contact discharges 8 kV air discharges

**Environment Specifications**

Attribute	Value
Radiated RF Immunity	IEC 61000-4-3: 10V/m with 1 kHz sine-wave 80% AM from 80...2000 MHz 10V/m with 200 Hz 50% Pulse 100% AM @ 900 MHz 10V/m with 200 Hz 50% Pulse 100% AM @ 1890 MHz 10V/m with 1 kHz sine-wave 80% AM from 2000...2700 MHz
EFT/B Immunity	IEC 61000-4-4: ±2 kV @ 5 kHz on signal ports
Surge Transient Immunity	IEC 61000-4-5: ±1 kV line-line(DM) and ±2 kV line-earth(CM) on power ports
Conducted RF Immunity	IEC 61000-4-6: 10V rms with 1 kHz sine-wave 80% AM from 150 kHz...80 MHz

**Certifications**

Certification (when product is marked) <sup>(1)</sup>	Value
c-UL-us	UL Listed Industrial Control Equipment, certified for US and Canada. See UL File E322657.  UL Listed for Class I, Division 2 Group A,B,C,D Hazardous Locations, certified for U.S. and Canada. See UL File E334470
CE	European Union 2014/30/EU EMC Directive, compliant with: EN 61326-1; Meas./Control/Lab., Industrial Requirements EN 61000-6-2; Industrial Immunity EN 61000-6-4; Industrial Emissions EN 61131-2; Programmable Controllers (Clause 8, Zone A & B)  European Union 2014/35/EU LVD, compliant with: EN 61010-2-201; Control Equipment Safety Requirements  European Union 2011/65/EU RoHS, compliant with: EN 50581; Technical Documentation  Turkey RoHS EEE Yönetmeligine Uygundur (In Conformity with the EEE Regulation)
RCM	Australian Radiocommunications Act, compliant with: EN 61000-6-4; Industrial Emissions
KC	Korean Registration of Broadcasting and Communications Equipment, compliant with: Article 58-2 of Radio Waves Act, Clause 3

(1) See the Product Certification link at <http://www.rockwellautomation.com/products/certification/> for Declaration of Conformity, Certificates, and other certification details.

**Compliance to European Union Directives**



At the end of its life, this equipment should be collected separately from any unsorted municipal waste.

---

## Expansion I/O Data Mapping

This section includes I/O data mapping for the discrete, analog, and specialty expansion I/O modules.

### Discrete I/O Data Mapping

**TIP** Use the Connected Components Workbench software to see Global Variables.

#### *2085-IQ16 and 2085-IQ32T I/O Data Mapping*

Discrete input states can be read from Global Variables `_IO_Xx_DI_yy`, where `x` represents the expansion slot number 1...4 and `yy` represents the point number 00...15 for 2085-IQ16 and 00...31 for 2085-IQ32T.

#### *2085-OV16 and 2085-OB16 I/O Data Mapping*

Discrete output states can be read from Global Variables `_IO_Xx_ST_yy`, where “`x`” represents the expansion slot number 1...4 and `yy` represents the point number 00...15.

Discrete output states can be written to Global Variables `_IO_Xx_DO_yy`, where “`x`” represents the expansion slot number 1...4 and `yy` represents the point number 00...15.

#### *2085-IA8 and 2085-IM8 I/O Data Mapping*

Discrete input states can be read from Global Variables `_IO_Xx_DI_yy`, where `x` represents the expansion slot number 1...4 and `yy` represents the point number 00...07.

#### *2085-OA8 I/O Data Mapping*

Discrete output states can be read from Global Variables `_IO_Xx_ST_yy`, where “`x`” represents the expansion slot number 1...4 and `yy` represents the point number 00...07.

Discrete output states can be written to Global Variables `_IO_Xx_DO_yy`, where “`x`” represents the expansion slot number 1...4 and `yy` represents the point number 00...07.

*2085-OW8 and 2085-OW16 I/O Data Mapping*

Discrete output states can be read from Global Variables `_IO_Xx_ST_yy`, where “x” represents the expansion slot number 1...4 and yy represents the point number 00...07 for 2085-OW8 and 00...15 for 2085-OW16.

Discrete output states can be written to Global Variables `_IO_Xx_DO_yy`, where “x” represents the expansion slot number 1...4 and yy represents the point number 00...07 for 2085-OW8 and 00...15 for 2085-OW16.

**Analog I/O Data Mapping**

The following sections provide I/O and status mapping for the following analog expansion I/O modules:

Catalog Number	Description
2085-IF4	4-channel, 14-bit analog voltage/current input module
2085-IF8	8-channel, 14-bit analog voltage/current input module
2085-OF4	4-channel, 12-bit analog voltage/current output module
2085-IRT4	4-channel, 16-bit RTD and Thermocouple input module

**TIP** Use the Connected Components Workbench software to see Global Variables.

*2085-IF4 I/O Data Mapping*

Analog input values are read from Global Variables `_IO_Xx_AI_yy`, where “x” represents the expansion slot number 1...4 and yy represents the channel number 00...03.

Analog input status values can be read from Global Variables `IO_Xx_ST_yy`, where “x” represents the expansion slot number 1...4 and yy represents the status word number 00...02.

**2085-IF4<sup>(1)</sup> Status Data Mapping**

Word	R/W	15	14	13	12	11	10	9	8	7	6	5	4	3	2	1	0
Status 0	R	PU	GF	CRC	Reserved												
Status 1	R	Reserved		HHA1	LLA1	HA1	LA1	DE1	S1	Reserved		HHA0	LLA0	HA0	LA0	DE0	S0
Status 2	R	Reserved		HHA3	LLA3	HA3	LA3	DE3	S3	Reserved		HHA2	LLA2	HA2	LA2	DE2	S2

(1) See Field Descriptions table for definition of each bit.

*2085-IF8 I/O Data Mapping*

Analog input values are read from Global Variables `_IO_Xx_AI_yy`, where “x” represents the expansion slot number 1...4 and yy represents the channel number 00...07.



Analog input status values can be read from Global Variables IO\_Xx\_ST\_yy, where “x” represents the expansion slot number 1..4 and yy represents the status word number 00...04. Individual bits within a status word can be read by appending a .zz to the Global Variable name, where “zz” is the bit number 00...15.

### 2085-IF8<sup>(1)</sup> Status Data Mapping

Word	R/W	15	14	13	12	11	10	9	8	7	6	5	4	3	2	1	0
Status 0	R	PU	GF	CRC	Reserved												
Status 1	R	Reserved		HHA1	LLA1	HA1	LA1	DE1	S1	Reserved	HHA0	LLA0	HA0	LA0	DE0	S0	
Status 2	R	Reserved		HHA3	LLA3	HA3	LA3	DE3	S3	Reserved	HHA2	LLA2	HA2	LA2	DE2	S2	
Status 3	R	Reserved		HHA5	LLA5	HA5	LA5	DE5	S5	Reserved	HHA4	LLA4	HA4	LA4	DE4	S4	
Status 4	R	Reserved		HHA7	LLA7	HA7	LA7	DE7	S7	Reserved	HHA6	LLA6	HA6	LA6	DE6	S6	

(1) See Bit Field Descriptions table for a detailed definition of each bit.

### Field Descriptions for 2085-IF4 and 2085-IF8 Input Modules

Field	Description	
<b>CRC</b>	CRC error	This bit is set (1) when there is a CRC error on the data received. It gets cleared when the next good data is received.
<b>DE#</b>	Data Error	These bits are set (1) when the enabled input channels are not getting any reading for the current sampling. The respective returned Input Data value remains the same as the previous sample.
<b>GF</b>	General Fault	This bit is set (1) when any of these faults occur: RAM test failure, ROM test failure, EEPROM failure, and reserved bits. All channel fault bits (S#) are set too.
<b>HA#</b>	High Alarm Overrange	These bits are set (1) when the input channel exceeds a preset high limit defined by the configuration selected (UL# is set).
<b>HHA#</b>	High High Alarm Overrange	These bits are set (1) when the input channel exceeds a preset high-high limit defined by the configuration selected (UL# is set).
<b>LA#</b>	Low Alarm (underrange)	These bits are set (1) when the input channel goes below the configured low alarm limit.
<b>LLA#</b>	Low Low Alarm (underrange)	These bits are set (1) when the input channel goes below the configured low-low alarm limit.
<b>PU</b>	Power Up	<ol style="list-style-type: none"> <li>1. This bit is set after a power on. It is cleared when good configuration data is accepted by the module.</li> <li>2. It is set when an unexpected MCU reset occurs in RUN mode. All channel fault bits (S#) are set too. The module stays connected with no configuration after the reset. PU and channel fault bits (S#) are cleared when a good configuration is accepted.</li> </ol>
<b>S#</b>	Channel fault	These bits are set(1) if the corresponding channels are open, have data error or under/overrange.

*2085-OF4 I/O Data Mapping*

Analog output data can be written to Global Variables `_IO_Xx_AO_yy`, where “x” represents the expansion slot number 1...4 and yy represents the channel number 00...03.

Control bit states can be written to Global Variable `_IO_Xx_CO_00.zz`, where “x” represents the expansion slot number 1...4 and “zz” represents the bit number 00...12.

**2085-OF4 Control Data Mapping**

Word	Bit Position															
	15	14	13	12	11	10	9	8	7	6	5	4	3	2	1	0
Control 0	Reserved				CE3	CE2	CE1	CE0	UU3	U03	UU2	U02	UU1	U01	UU0	U00

*Channel Alarm/Error Unlatch*

**UUx** and **U0x** are written during run mode to clear any latched under- and over-range alarms. The alarm is unlatched when the unlatch bit is set (1) and the alarm condition no longer exists. If the alarm condition persists, then the unlatch bit has no effect.

**CEx** are written during run mode to clear any DAC hardware error bits and re-enable the error-disabled channel x.

You need to keep the unlatch bit set until verification from the appropriate input channel status word says that the alarm status bit has cleared(0), then you need to reset(0) the unlatch bit.

*Status Data*

Analog output status can be read from Global Variables `IO_Xx_ST_yy`, where “x” represents the expansion slot number 1...4 and “yy” represents the status word number 00...06. Individual bits within a status word can be read by appending a .zz to the Global Variable name, where "zz" is the bit number 00...15.

**2085-OF4 Status Data Mapping**

Word	Bit Position															
	15	14	13	12	11	10	9	8	7	6	5	4	3	2	1	0
Status 0	Channel 0 Data Value															
Status 1	Channel 1 Data Value															
Status 2	Channel 2 Data Value															
Status 3	Channel 3 Data Value															

**2085-OF4 Status Data Mapping**

Word	Bit Position															
	15	14	13	12	11	10	9	8	7	6	5	4	3	2	1	0
Status 4	PU	GF	CRC	Reserved	Reserved				E3	E2	E1	E0	S3	S2	S1	S0
Status 5	Reserved		U3	O3	Reserved		U2	O2	Reserved		U1	O1	Reserved		U0	O0
Status 6	Reserved															

**Field Descriptions for 2085-OF4 Status Word**

Field	Description	
<b>CRC</b>	CRC error	Indicates there is a CRC error on data receive. All channel fault bits (Sx) are also set. The error is cleared when the next good data is received.
<b>Ex</b>	Error	Indicates there is an DAC hardware error, broken wire or high load resistance associated with the channel x, an error code may be displayed on the respective input word (0...3) and the corresponding channel is locked (disabled) until user clears the error by writing the CEx bit in output data.
<b>GF</b>	General Fault	Indicates a fault has occurred, including: RAM test failure, ROM test failure, EEPROM failure, and reserved bits. All channel fault bits (Sx) are also set.
<b>Ox</b>	Over-Range Flag	Indicates the controller is attempting to drive the analog output above its normal operating range or above the channel's High Clamp level. However the module continues to convert analog output data to a maximum full range value if clamp levels are not set for the channel.
<b>PU</b>	Power Up	Indicates an unexpected MCU reset has occurred in RUN mode. All channel error bits (Ex) and fault bits (Sx) are also set. The module stays connected with no configuration after the reset. PU and channel fault bits are cleared when a good configuration is downloaded.
<b>Sx</b>	Channel Fault	Indicates there is an error associated with the channel x.
<b>Ux</b>	Under-Range Flag	Indicates the controller is attempting to drive the analog output below its normal operating range or below the channel's Low Clamp level (if clamp limits are set for the channel).

**Specialty I/O Data Mapping***2085-IRT4 I/O Data Mapping*

Analog input values can be read from Global Variables `_IO_Xx_AI_yy`, where "x" represents the expansion slot number 1...4 and yy represents the channel number 00...03.

Analog input status can be read from Global Variables `IO_Xx_ST_yy`, where "x" represents the expansion slot number 1...4 and yy represents the status word number 00...02. Individual bits within a status word can be read by appending a `.zz` to the Global Variable name, where "zz" is the bit number 00...15.

**2085-IRT4 Status Data Mapping**

Word	Bit Position															
	15	14	13	12	11	10	9	8	7	6	5	4	3	2	1	0
Status 0	DE3	DE2	DE1	DE0	OC3	OC2	OC1	OC0	R3	R2	R1	R0	S3	S2	S1	S0
Status 1	O3	O2	O1	O0	U3	U2	U1	U0	T3	T2	T1	T0	CJC over	CJC under	CJC OC	CJC DE
Status 2	PU	GF	CRC	Reserved												

**Field Descriptions for 2085-IRT4**

Field	Description	
<b>CJC OC</b>	Cold Junction Compensation Open Circuit	Indicates that the cold junction sensor is open-circuit. CJC DE bit, when set, indicates the cold junction sensor current readings is not reliable. The previous reading shall be used instead. It indicates internal compensation status if Tx is set.
<b>CJC DE</b>	Cold Junction Compensation Data Error	Indicates that the cold junction sensor current readings is not reliable. The previous reading will be used instead. It indicates internal compensation status if Tx is set.
<b>CJC over</b>	Cold Junction Compensation overrange	Indicates cold junction sensor overrange (above 75 °C).
<b>CJC under</b>	Cold Junction Compensation underrange	Indicates cold junction sensor is underrange (below -25 °C).
<b>CRC</b>	CRC error	Indicates there is a CRC error on data receive. All channel fault bits (Sx) are also set. The error is cleared when the next good data is received.
<b>DEx</b>	Data Error	Indicates that the current input data is not reliable. The previous input data is sent to the controller instead. Diagnostic status bits are for internal use only.
<b>GF</b>	General Fault	Indicates a fault has occurred, including: RAM test failure, ROM test failure, EEPROM failure, and reserved bits. All channel fault bits (Sx) are also set.
<b>OCx</b>	Open-Circuit Flag	Indicates that an open-circuit condition exists on the channel x.
<b>Ox</b>	Over-Range Flag	Indicates the controller is attempting to drive the analog output above its normal operating range or above the channel's High Clamp level. However the module continues to convert analog output data to a maximum full range value if clamp levels are not set for the channel.
<b>PU</b>	Power Up	Indicates an unexpected MCU reset has occurred in RUN mode. All channel error bits (Ex) and fault bits (Sx) are also set. The module stays connected with no configuration after the reset. PU and channel fault bits are cleared when a good configuration is downloaded.
<b>Rx</b>	RTD compensation	Indicates that the RTD compensation of channel x is not working. This is effective for RTD and ohm type only.

**Field Descriptions for 2085-IRT4**

<b>Field</b>	<b>Description</b>	
<b>Sx</b>	Channel Fault	Indicates there is an error associated with the channel x.
<b>Tx</b>	Thermocouple compensation	Indicates that the thermocouple compensation of channel x is not working. This is effective for thermocouple type only.
<b>Ux</b>	Underrange	Indicates that the input of channel x is at the minimum end of its normal operating range. The module automatically resets the bit when the under-range condition is cleared and the data value is within the normal operating range.

## Calibration of Analog Modules

The analog modules are shipped to you calibrated.

## Specifications

See [Specifications on page 51](#) for a list of specifications for each of the analog and digital expansion I/O modules.



## Numerics

- 1492-CAB010P62** 25
- 1492-CAB010U62** 25
- 1492-CAB025P62** 25
- 1492-CAB025U62** 25
- 1492-CAB050P62** 25
- 1492-CAB050U62** 25
- 2085-ECR** 2, 32
- 2085-EP24VDC** 2
  - wiring 27
- 2085-IA8** 1, 6
  - configuration parameters 39
  - I/O data mapping 65
  - wiring 17
- 2085-IF4** 1, 7, 48
  - configuration parameters 40
  - I/O data mapping 66
  - normal mode rejection 10
  - wiring 21
- 2085-IF4/IF8 parameter**
  - Enable Channel 40
  - minimum-maximum input range 40
- 2085-IF8** 1, 7
  - configuration parameters 40
  - I/O data mapping 66
  - wiring 22
- 2085-IM8** 1, 6
  - configuration parameters 39
  - I/O data mapping 65
  - wiring 17
- 2085-IQ16** 1, 6, 41
  - I/O data mapping 65
  - wiring 18
- 2085-IQ32T** 1, 6, 24, 41
  - hardware components 4
  - wiring 19
  - wiring option 24, 26
- 2085-IRT4** 2, 13
  - configuration parameters 45
  - data format 14
  - data formats valid range 14
  - filter frequency 16
  - open circuit response 16
  - sensor type 13, 45
  - wiring 23
- 2085-OA8** 1, 41
  - I/O data mapping 65
  - wiring 18
- 2085-OB16** 1, 41
  - configuration parameters 41
  - I/O data mapping 65
  - wiring 20
- 2085-OF4** 1, 7, 11, 42
  - configuration parameters 42, 43
  - data format 43
  - I/O data mapping 68
  - Latch over and under alarm 44
  - minimum-maximum output range 43
  - Restore defaults 44
  - wiring 22
- 2085-OV16** 1, 41
  - I/O data mapping 65
  - wiring 20
- 2085-OW16** 1, 41
  - configuration parameters 41
  - I/O data mapping 66
  - wiring 21
- 2085-OW8** 1, 41
  - I/O data mapping 66
  - wiring 20

## A

### Additional Resources iii

**alarm status bit** 11

**alarm status bits** 11

**Allen-Bradley 1492 connector cables** 25

**Allen-Bradley 1492 wiring** 26

**analog expansion I/O** 7

**analog module** 11

I/O Type/Range 7

**analog to data format conversion** 15

**analog value to data format value**

conversion formula 9

**average filter** 10

## C

**channel alarm** 11

**channel status byte** 11

**clamp** 11

**clamping**

alarm 11

default high/low values 11

limits 11

**clamping limits** 11

**clamps** 11

**common mode rejection** 10

**configuration**

add 35

edit expansion I/O 38

**Connected Components Workbench** iv, 5, 6, 7, 10, 14,

35, 41

**continuous current** 6

**crimp pin** 24

**current** 7, 8

**D**

**data format** 11, 15, 40, 46  
conversion formula 9, 15  
valid range 8, 14  
valid range for 2085-IRt4 14

**data formats** 8, 14  
engineering units 8  
percent range 8  
raw/proportional data 8  
valid range for 2085-IF4/IF8 8  
valid range for 2085-OF4 9

**default range**  
high clamp/low clamp 11

**digital filter** 10, 16

**DIN rail mounting** 31

**discrete input** 5

**discrete output** 6

**double-width expansion I/O** 3

**Downscale** 16

**E**

**engineering units** 8, 11

**Engineering Units x 1** 14

**Engineering Units x 10** 14

**Expansion I/O** 1

**expansion I/O**  
analog 7  
configuration 35  
data mapping 65  
discrete 5  
discrete input 5  
discrete output 6  
hardware features 2  
panel mounting 32

**F**

**filter frequency** 16

**filter frequency (-3dB)** 47

**filter update time** 47

**frequency filter** 10

**H**

**hardware features** 2

**hardware revision** 5

**high alarm** 41

**high clamp** 11, 42

**high clamp value** 43

**high-high alarm** 11, 41

**Hold Last State** 16

**I**

**indicators** 6

**input data** 8

**input filter** 10, 40

**input signals** 10

**Input/Output Type/Range**  
2085-IF4 7

**installation**  
module spacing 29  
mounting 30, 31

**Installing Your Controller** 29

**L**

**latch configuration** 11

**low alarm** 41

**low clamp** 11

**low clamp value** 43

**low limits** 11

**low low alarm** 41

**low-low alarm** 11

**M**

**Micro800 expansion I/O** 35

**Micro850 controller** 32

**motor starters** 6

**N**

**noise immunity** 6

**noise rejection** 10, 16, 47

**O**

**open circuit response** 48  
downscale 48  
hold last state 48  
upscale 16, 48

**operating range** 8

**overrange alarm trigger** 44

**P**

**Percent Range** 14

**percent range** 8, 11

**process alarms** 11

**R**

**raw/proportional data** 8, 11

**Raw/Proportional Data Format** 14



**resolution** 8  
**RTD sensor types** 13  
**RTD types** 13  
**RTD wiring type** 46

## S

**safety feature** 11  
**sensor range** 13  
**sensor type** 14  
**single-width expansion I/O** 2  
**solenoids** 6  
**status data** 68  
**status indicator** 5  
**surge** 6  
**system assembly** 32

## T

**thermocouple** 14  
**Thermocouple and RTD** 14  
**Thermocouple and RTD sensor types** 13  
**thermocouple types** 13

## U

**UL restrictions**  
Class 2 or Limited Voltage/Current 24  
**underrange alarm trigger** 44  
**Units** 46

## V

**voltage** 7, 8

## W

**wiring**  
2085-IQ32T 24  
**wiring connections** 17

**Notes:**



## Rockwell Automation Support

Use the following resources to access support information.

<b>Technical Support Center</b>	Knowledgebase Articles, How-to Videos, FAQs, Chat, User Forums, and Product Notification Updates.	<a href="https://rockwellautomation.custhelp.com/">https://rockwellautomation.custhelp.com/</a>
<b>Local Technical Support Phone Numbers</b>	Locate the phone number for your country.	<a href="http://www.rockwellautomation.com/global/support/get-support-now.page">http://www.rockwellautomation.com/global/support/get-support-now.page</a>
<b>Direct Dial Codes</b>	Find the Direct Dial Code for your product. Use the code to route your call directly to a technical support engineer.	<a href="http://www.rockwellautomation.com/global/support/direct-dial.page">http://www.rockwellautomation.com/global/support/direct-dial.page</a>
<b>Literature Library</b>	Installation Instructions, Manuals, Brochures, and Technical Data.	<a href="http://www.rockwellautomation.com/global/literature-library/overview.page">http://www.rockwellautomation.com/global/literature-library/overview.page</a>
<b>Product Compatibility and Download Center (PCDC)</b>	Get help determining how products interact, check features and capabilities, and find associated firmware.	<a href="http://www.rockwellautomation.com/global/support/pcdc.page">http://www.rockwellautomation.com/global/support/pcdc.page</a>

## Documentation Feedback

Your comments will help us serve your documentation needs better. If you have any suggestions on how to improve this document, complete the How Are We Doing? form at [http://literature.rockwellautomation.com/idc/groups/literature/documents/du/ra-du002\\_-en-e.pdf](http://literature.rockwellautomation.com/idc/groups/literature/documents/du/ra-du002_-en-e.pdf).

Rockwell Automation maintains current product environmental information on its website at <http://www.rockwellautomation.com/rockwellautomation/about-us/sustainability-ethics/product-environmental-compliance.page>.

Allen-Bradley, Rockwell Software, Micro800, Micro830, Micro850, Micro870, Connected Components Workbench, and Rockwell Automation are trademarks of Rockwell Automation, Inc.

Trademarks not belonging to Rockwell Automation are property of their respective companies.

Rockwell Otomasyon Ticaret A.Ş., Kar Plaza İş Merkezi E Blok Kat:6 34752 İçerenköy, İstanbul, Tel: +90 (216) 5698400

**[www.rockwellautomation.com](http://www.rockwellautomation.com)**

### Power, Control and Information Solutions Headquarters

Americas: Rockwell Automation, 1201 South Second Street, Milwaukee, WI 53204-2496 USA, Tel: (1) 414.382.2000, Fax: (1) 414.382.4444

Europe/Middle East/Africa: Rockwell Automation NV, Pegasus Park, De Kleetlaan 12a, 1831 Diegem, Belgium, Tel: (32) 2 663 0600, Fax: (32) 2 663 0640

Asia Pacific: Rockwell Automation, Level 14, Core F, Cyberport 3, 100 Cyberport Road, Hong Kong, Tel: (852) 2887 4788, Fax: (852) 2508 1846

Publication 2080-UM003B-EN-P - March 2018

Supersedes Publication 2080-UM003A-EN-E - March 2013

Copyright © 2018 Rockwell Automation, Inc. All rights reserved.